



CHANDOX
ISO 9001 · CE



CHANDOX



千島精密工業股份有限公司
彰化縣伸港鄉全興工業區工一路4號
電話: 04-7978666(10線) / 傳真: 04-7978660

CHANDOX PRECISION INDUSTRIAL CO., LTD.

No. 4, Gong 1st Rd., Shengang Shiang, Changhua County 509, Taiwan.
Tel: 886-4-7978656 (3 lines) / Fax: 886-4-7978662 (OVERSEAS)

<http://www.chandox.com> / E-mail: chandox@chandox.com, chandox@ms76.hinet.net

經銷商



出版日期 / Edition 04, 2021

本公司保有最終修改、變更產品規格之權利，若有相關異動，恕不另行通知。
The company reserves the right to final amendments, changes, and product specifications. If there are related changes, we will not notify you.



Copyright V.L.S. 04-24751010

www.chandox.com

千島精密夾盤
CHANDOX PRECISION CHUCKS



【三個理念】品質、設計、製造

- 千島提供品質第一的產品
- 千島提供設計創新的產品
- 千島提供專業製造的產品

【四個堅持】

- 我們堅持最優秀的人才
- 我們堅持最創新的技術
- 我們堅持最先進的設備
- 我們堅持最完善的環境

【Three concepts】 Quality, Design, Manufacture

- CHANDOX provides products of the best quality.
- CHANDOX provides products of innovative design.
- CHANDOX provides products of professional manufacture.

【Four insistences】

- We insist on the most outstanding human resources.
- We insist on the most innovative technology.
- We insist on the most advanced equipments.
- We insist on the most perfect manufacturing environment.

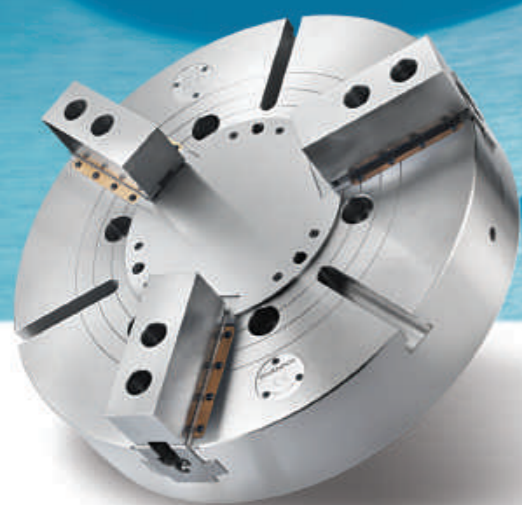
CHANDOX

新產品 系列介紹 千島全系列產品均已投保產品責任險二百萬美金

NEW PRODUCT HIGHLIGHT All series of CHANDOX products have products liability insurance of US \$2,000,000.



CHANDOX
MADE IN TAIWAN



CL-DP

三爪中實油壓夾頭(大規格)
3-JAW SOLID CHUCK WITH ANTI-CHIPS SEALED



OPB

大孔徑三爪高速中空油壓夾頭
LARGE THROUGH HOLE 3-JAW HIGH SPEED POWER CHUCKS



P-S

大孔徑薄型中空油壓迴轉缸
LARGE THROUGH HOLE THIN HOLLOW ROTARY HYDRAULIC CYLINDERS



EL

中空超長行程油壓夾頭
CRANK TYPE LONG JAW STROKE HOLLOW POWER CHUCKS



RTS

迴轉氣壓夾盤
(低扭矩)(含止逆閥)(可連續運轉)
ROTARY AIR CHUCK FIXTURE (LOW TORQUE) (BUILT-IN CHECK VALVE) (CONTINUOUS ROTATING)



IC, TB-IC

分度夾頭/油壓迴轉器
INDEXING CHUCKS, HYDRAULIC FEED TUBE

MB

大孔徑內藏式油壓夾盤
LARGE THROUGH HOLE POWER CHUCK FIXTURE

模組化 治具氣壓夾盤

FIXTURE CHUCKS MODLE

PLVE

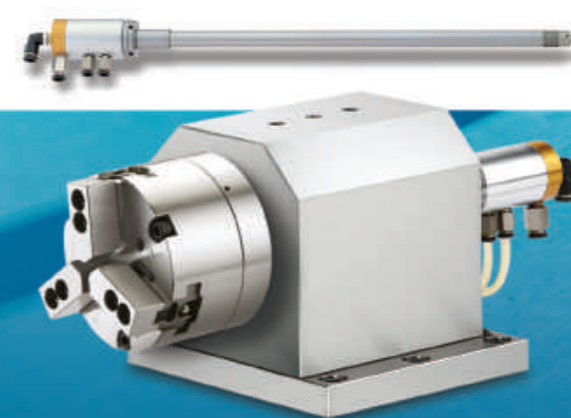
後拉式油壓夾盤
PULL BACK POWER CHUCK FIXTURES

TB

氣壓迴轉器
AIR FEED TUBE

SK

強力型三爪夾頭(大規格/大孔徑)
3-JAW POWERFUL TYPE SCROLL CHUCKS



INDEX

油壓夾頭系列 HYDRAULIC CHUCKS SERIES

08 OPT
二爪高速中空油壓夾頭
2-JAW HIGH SPEED HOLLOW POWER CHUCKS

09 OP
三爪高速中空油壓夾頭
3-JAW HIGH SPEED HOLLOW POWER CHUCKS

10 OPF
四爪高速中空油壓夾頭
4-JAW HIGH SPEED HOLLOW POWER CHUCKS

11 OP-L
三爪中空長行程油壓夾頭
3-JAW LONG STROKE HOLLOW POWER CHUCKS

11 OPT-L
二爪中空長行程油壓夾頭
2-JAW LONG STROKE HOLLOW POWER CHUCKS

12 P
高速中空油壓迴轉缸
SUPER HIGH SPEED HOLLOW ROTARY HYDRAULIC CYLINDERS

13 F-S
薄型高速中空油壓迴轉缸
HIGH SPEED COMPACT HOLLOW ROTARY HYDRAULIC CYLINDERS

14 PA
超薄型高速中空油壓迴轉缸
HIGH SPEED COMPACT HOLLOW ROTARY HYDRAULIC CYLINDERS

15 OPB
大孔徑三爪高速中空油壓夾頭
LARGE THROUGH HOLE 3-JAW HIGH SPEED POWER CHUCKS

16 OPBT
大孔徑二爪高速中空油壓夾頭
LARGE THROUGH HOLE 2-JAW HIGH SPEED POWER CHUCKS

16 OPBF
大孔徑四爪高速中空油壓夾頭
LARGE THROUGH HOLE 4-JAW HIGH SPEED POWER CHUCKS

17 P-S
大孔徑薄型中空油壓迴轉缸
LARGE THROUGH HOLE THIN HOLLOW ROTARY HYDRAULIC CYLINDERS

18 CL
三爪中實油壓夾頭
3-JAW SOLID POWER CHUCKS

18 CLT
二爪中實油壓夾頭
2-JAW SOLID POWER CHUCKS

19 CL-DP
三爪中實油壓夾頭
3-JAW SOLID CHUCK WITH ANTI-CHIPS SEALED

20 VL-DP
立車用中實油壓夾頭
(含連結板)
3-JAW SOLID CHUCK WITH ANTI-CHIPS SEALED & WATER-PROOF FLANGE PLATE FOR VERTICAL LATHE

21 EL
三爪中空超長行程油壓夾頭
CRANK TYPE LONG JAW STROKE HOLLOW POWER CHUCKS

21 ELT
二爪中空超長行程油壓夾頭
CRANK TYPE LONG JAW STROKE HOLLOW POWER CHUCKS

22 PL
後拉式油壓夾頭
PULL BACK POWER CHUCKS

23 L
中實油壓迴轉缸
SOLID ROTARY HYDRAULIC CYLINDERS

24 L-R
中實油壓迴轉缸
(注水型含止逆裝置)
SOLID ROTARY HYDRAULIC CYLINDERS (WITH COOLANT CONNECTION & CHECK VALVE)

25 L-RE
中實油壓迴轉缸
(附止逆及檢知裝置)
SOLID ROTARY HYDRAULIC CYLINDERS (BUILT-IN CHECK VALVE & SENSOR)

26 L-RA
中實油壓迴轉缸
(注氣型含止逆裝置)
SOLID ROTARY HYDRAULIC CYLINDERS (WITH AIR CONNECTION & CHECK VALVE)

26 L-RC
中實油壓迴轉缸
(注水型含止逆裝置)
SOLID ROTARY HYDRAULIC CYLINDERS (WITH COOLANT CONNECTION & CHECK VALVE)

27 LS-RE
超薄型中實油壓迴轉缸
(附止逆及檢知裝置)
COMPACT SOLID ROTARY HYDRAULIC CYLINDER (BUILT-IN CHECK VALVE & SENSOR)

27 LS-REA
注氣超薄型中實油壓迴轉缸
(附止逆及檢知裝置)
COMPACT SOLID ROTARY HYDRAULIC CYLINDER WITH AIR CONNECTION (BUILT-IN CHECK VALVE & SENSOR)

28 CK
筒夾夾頭
COLLET CHUCKS

29 IC
分度夾頭
INDEXING CHUCKS

29 TB-IC
油壓迴轉器
HYDRAULIC FEED TUBE

30 PLVE
後拉式油壓夾頭
PULL BACK POWER CHUCK FIXTURES (HYDRAULIC)

31 ML
三爪中空長行程油壓夾盤
3-JAW LONG STROKE HOLLOW POWER CHUCK FIXTURES

31 MLT
二爪中空長行程油壓夾盤
2-JAW LONG STROKE HOLLOW POWER CHUCK FIXTURES

32 MEL
三爪中空超長行程油壓夾盤
3-JAW CRANK TYPE LONG JAW STROKE HOLLOW POWER CHUCK FIXTURES

32 MELT
二爪中空超長行程油壓夾盤
2-JAW CRANK TYPE LONG JAW STROKE HOLLOW POWER CHUCK FIXTURES

33 MO
內藏式中空油壓三爪夾盤
3-JAW HOLLOW POWER CHUCK FIXTURES (HYDRAULIC)

33 MOT
內藏式中空油壓二爪夾盤
2-JAW HOLLOW POWER CHUCK FIXTURES (HYDRAULIC)

34 MB
大孔徑內藏式油壓夾盤
LARGE THROUGH HOLE POWER CHUCK FIXTURE (HYDRAULIC)

35 MD
內藏式前鎖型三爪氣壓夾盤
(單活塞)
3-JAW AIR CHUCKS FIXTURE (SINGLE PISTON)

35 MD-M
內藏式前鎖型三爪氣壓夾盤
(雙活塞)
3-JAW AIR CHUCKS FIXTURE (DOUBLE PISTON)

氣壓夾盤系列 PNEUMATIC CHUCKS SERIES

36 MFR
內藏式前鎖型三爪氣壓夾盤
(雙活塞)
3-JAW AIR CHUCKS FIXTURE (DOUBLE PISTON)

36 MFR-M
內藏式前鎖型三爪氣壓夾盤
(雙活塞)
3-JAW AIR CHUCKS FIXTURE (DOUBLE PISTON)

37 TK
三爪超精密氣壓夾頭
3-JAW SUPER PRECISION AIR CHUCKS

37 TK-T
二爪超精密氣壓夾頭
2-JAW SUPER PRECISION AIR CHUCKS

38 MTK
內藏式超精密三爪氣壓夾盤
3-JAW SUPER PRECISION AIR CHUCK FIXTURES

38 MTK-T
內藏式超精密二爪氣壓夾盤
2-JAW SUPER PRECISION AIR CHUCK FIXTURES

39 TB, TBC
氣壓迴轉器
AIR FEED TUBE
氣壓迴轉器(注水型)
AIR FEED TUBE (FOR GRINDER MACHINES)

39 MTB
氣壓迴轉器
AIR FEED TUBE

39 TB-HA
油壓迴轉器
(含檢知裝置)
HYDRAULIC FEED TUBE (BUILT-IN SENSOR)

40 ADP, FR
連結盤
MOUNTING PLATES
超精密生爪成型盤
FORMING RINGS (FOR SOFT JAWS OF SUPER PRECISION AIR CHUCKS)

40 J
超精密夾頭生爪
SOFT JAWS FOR SUPER PRECISION CHUCKS

41 RT
三爪迴轉氣壓夾盤
(間歇性運轉)
3-JAW ROTARY AIR CHUCK FIXTURE (INTERMITTENT OPERATION)

42 RTS
三爪迴轉氣壓夾盤
(低扭矩)(含止逆閥)(可連續運轉)
3-JAW ROTARY AIR CHUCK FIXTURE (LOW TORQUE) (BUILT-IN CHECK VALVE) (CONTINUOUS ROTATING)

42 RTS-T
二爪迴轉氣壓夾盤
(低扭矩)(含止逆閥)(可連續運轉)
2-JAW ROTARY AIR CHUCK FIXTURE (LOW TORQUE) (BUILT-IN CHECK VALVE) (CONTINUOUS ROTATING)

43 MA
兩軸自動求心氣壓夾盤
2 ACTUATING AXES SELF-CENTERING SOLID AIR CHUCK FIXTURES

44 MR
三爪氣壓夾頭
3-JAW AIR CHUCKS

零組件系列 PARTS & ACCESSORIES

45 SJ
油壓生爪
SOFT JAWS (S-J-SERIES) FOR HYDRAULIC CHUCKS

45 HJ
油壓硬爪
HARD JAWS (HJ-SERIES) FOR HYDRAULIC CHUCKS

46 S
後拉式夾頭專用生爪
SOFT JAWS FOR PULL BACK POWER CHUCKS

46 J
連結盤
MOUNTING PLATES

INDEX

手動夾頭系列 SCROLL CHUCKS SERIES

- 47 SC 普通型三爪夾頭
3-JAW SCROLL CHUCKS
- 47 AS 錐型六爪夾頭
6-JAW AWL TYPE CHUCKS
- 48 PS 運動型四爪夾頭
4-JAW SCROLL CHUCKS
- 48 AE 錐型八爪夾頭
8-JAW AWL TYPE CHUCKS
- 49 SK 強力型三爪夾頭
3-JAW POWERFUL TYPE SCROLL CHUCKS
- 49 SKB 大孔徑 強力型三爪夾頭
LARGE THROUGH HOLE 3-JAW POWERFUL TYPE SCROLL CHUCKS
- 49 A1(A2) 直裝型三爪夾頭
3-JAW A1(A2) TYPE CHUCKS
- 50 PSK 強力運動型四爪夾頭
4-JAW POWERFUL TYPE SCROLL CHUCKS
- 50 D1 直裝型三爪夾頭
3-JAW D1 TYPE CHUCKS
- 57 SO 強力生爪
POWER SOFT JAWS

超薄夾盤系列 SUPER THIN CHUCKS SERIES

- 51 NBK 強力超薄型夾盤
POWERFUL TYPE SUPER THIN CHUCKS
- 52 MC 方型超薄夾盤
SUPER THIN SQUARE CHUCKS
- 53 SE 超薄夾盤
SUPER THIN CHUCKS
- 53 SE-ST 不鏽鋼超薄型夾盤
STAINLESS STEEL SUPER THIN CHUCKS

鋼殼夾頭系列 STEEL BODY CHUCKS SERIES

- 54 TNT 齒式鋼殼二爪夾頭
2-JAW STEEL BODY CHUCKS
- 54 NT 齒式鋼殼三爪夾頭
3-JAW STEEL BODY CHUCKS
- 55 CT 可調式普通型三爪鋼殼夾頭
3-JAW ADJUSTMENT STEEL BODY SCROLL CHUCKS
- 55 FCT 可調式普通型四爪鋼殼夾頭
4-JAW ADJUSTMENT STEEL BODY SCROLL CHUCKS
- 56 TKT 可調式強力型二爪鋼殼夾頭
2-JAW POWERFUL TYPE ADJUSTMENT STEEL BODY CHUCKS

- 56 KT 可調式強力型三爪鋼殼夾頭
3-JAW POWERFUL TYPE ADJUSTMENT STEEL BODY CHUCKS
- 57 FKT 可調式強力型四爪鋼殼夾頭
4-JAW POWERFUL TYPE ADJUSTMENT STEEL BODY CHUCKS

DIN歐規夾頭系列 DIN CHUCKS SERIES

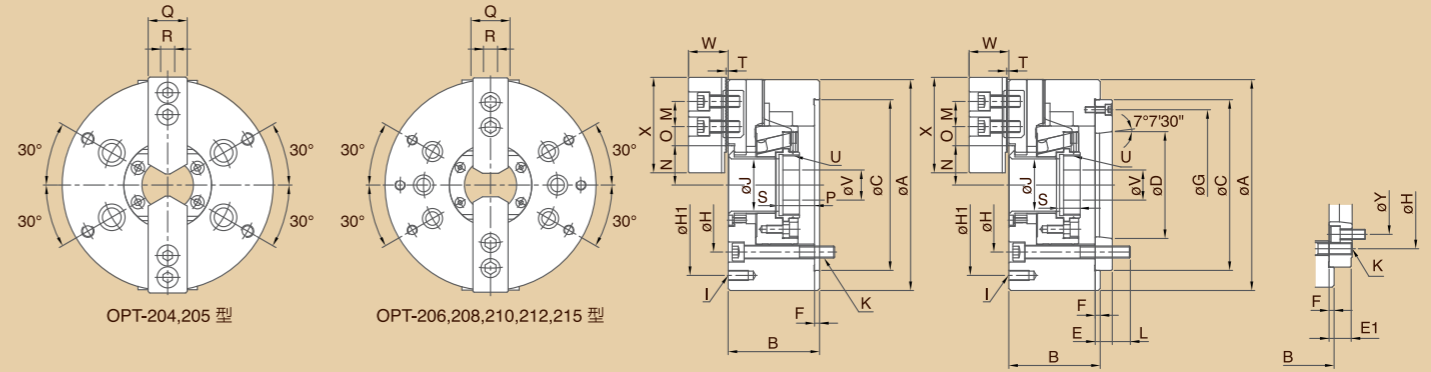
- 58 3DACT 可調式普通型三爪鋼殼夾頭
3-JAW ADJUSTMENT STEEL BODY SCROLL CHUCKS
- 58 4DACT 可調式普通型四爪鋼殼夾頭
4-JAW ADJUSTMENT STEEL BODY SCROLL CHUCKS
- 59 6DACT 可調式普通型六爪鋼殼夾頭
6-JAW ADJUSTMENT STEEL BODY SCROLL CHUCKS
- 59 3DAKT 可調式強力型三爪鋼殼夾頭
3-JAW POWERFUL TYPE ADJUSTMENT STEEL BODY CHUCKS
- 60 4DAKT 可調式強力型四爪鋼殼夾頭
4-JAW POWERFUL TYPE ADJUSTMENT STEEL BODY CHUCKS
- 60 6DAKT 可調式強力型六爪鋼殼夾頭
6-JAW POWERFUL TYPE ADJUSTMENT STEEL BODY CHUCKS

OPT 2-JAW HIGH SPEED HOLLOW POWER CHUCKS

二爪高速中空油壓夾頭



尺寸圖 > Dimensions



規格表 > Specifications

單位/UNIT:mm

型式/規格 MODEL / SPEC.	主軸鼻端番號 Nose Of Spindle	A	B	C (h6)	D	E	E1	F	G	H	H1	I	J	K	L
OPT-204	--	110	59	85	--	--	--	4	--	70.6	--	--	26	4-M10x1.5P	--
OPT-205	Az-4	135	60	110	63.513	20	--	4	96	82.6	PCDø118	4-M8x1.25P	33	4-M10x1.5P	15
OPT-206	Az-5	169	81	140	82.563	15	--	5	116	104.8	PCDø145	6-M10x1.5P	45	6-M10x1.5P	16
OPT-208	Az-6(Az-5)	210	91	170	106.375	17	23	5	150	133.4	PCDø180	6-M10x1.5P	52	6-M12x1.75P	18
OPT-210	Az-8(Az-6)	254	100	220	139.719	18	28	5	190	171.4	PCDø225	6-M12x1.75P	75	6-M16x2P	23
OPT-212	Az-8	304	110	220	139.719	18	--	6	190	171.4	PCDø250	6-M12x1.75P	91	6-M16x2P	25
OPT-215	Az-11(Az-8)	381	133	300	196.869	22	33	6	260	235	PCDø324	6-M12x1.75P	117.5	6-M20x2.5P	28

型式/規格 MODEL / SPEC.	M	N max.	N min.	O max.	O min.	P max.	P min.	Q	R	S	T	U	V	W	X	Y	通孔直徑 Thru-Hole [Diameter] (mm)	柱塞行程 Plunger Stroke (mm)
OPT-204	14	23	20.3	11.5	6.7	3.5	-6.5	23	10	17.5	2	M32x1.5P	12	24	49.5	--	26	10
OPT-205	14	26.2	23.5	19	6	1	-9	25	10	20	2	M40x1.5P	12	31.5	62	--	33	10
OPT-206	20	32.35	29.6	24	7	11	-1	31	12	19	2	M55x2P	20	37.5	73	--	45	12
OPT-208	25	39.1	35.4	30	11.6	14.5	-1.5	35	14	20.5	2	M60x2P	30	39.5	95	104.8	52	16
OPT-210	30	51.5	47.1	34	12	8.5	-10.5	40	16	25	2	M85x2P	40	43	110	133.4	75	19
OPT-212	30	61.6	56.3	46	12	8	-15	50	21	28	2	M100x2P	50	51	129	--	91	23
OPT-215	43	82.3	77	46	13	7.5	-16	62	22	42.5	5	M130x2P	48	66.5	165	171.4	117.5	23

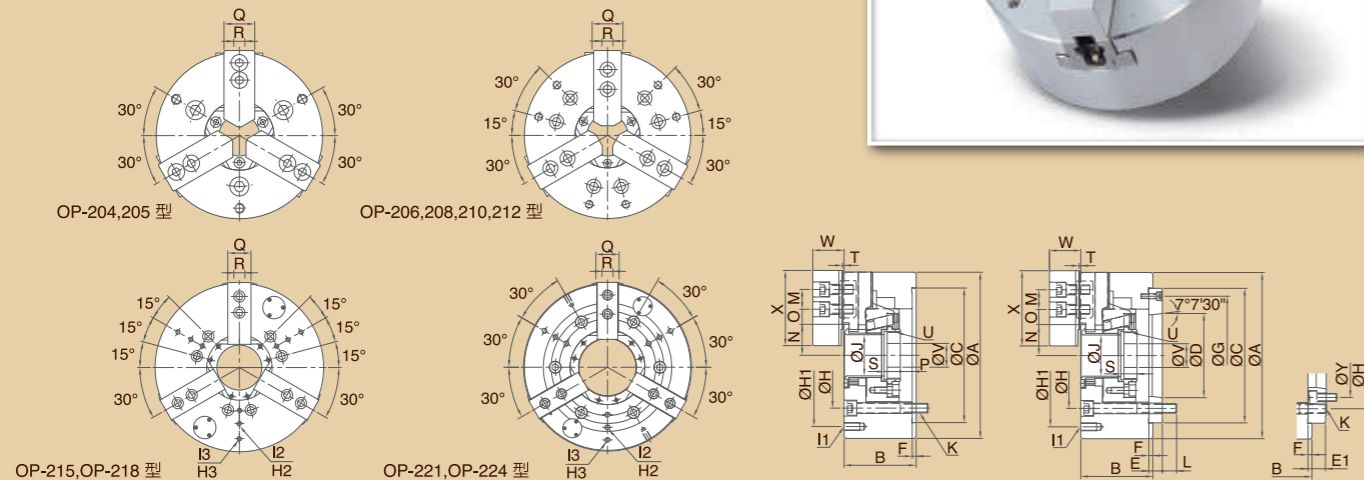
型式/規格 MODEL / SPEC.	爪行程 [直徑] Jaw Stroke [Diameter] (mm)	最高迴轉速 Max.Speed r.p.m.(min ⁻¹)	最大拉力 Max. Pull Force kgf (kN)	最大靜夾持力 Max. Gripping Force kgf (kN)	最大設定 油壓壓力 Max. Hydr. Pressure kgf/cm ² (MPa)	淨重 Weight (kg)	搭配 油壓缸型號 Matching Cylinder	夾持範圍 Gripping Range
OPT-204	5.4	8000	920 (9)	1930 (19)	15.5 (1.5)	3.6	P0928	ø7~ø110
OPT-205	5.4	7000	1120 (11)	2340 (23)	19 (1.9)	6.5	P1036	ø10~ø135
OPT-206	5.5	6000	1420 (14)	3770 (37)	18.5 (1.8)	13.1	P1246	ø13~ø169
OPT-208	7.4	5000	2240 (22)	5710 (56)	17 (1.7)	23.0	P1552	ø13~ø210
OPT-210	8.8	4200	2850 (28)	7440 (73)	18 (1.8)	35.9	P1875	ø30~ø254
OPT-212	10.6	3300	3670 (36)	9690 (95)	18 (1.8)	56.6	P2091	ø35~ø304
OPT-215	10.6	2500	4790 (47)	12130 (119)	17 (1.7)	103.2	P2511	ø35~ø381

OP 3-JAW HIGH SPEED HOLLOW POWER CHUCKS

三爪高速中空油壓夾頭

BH:加大孔徑
Larger Through Hole
OP-221,224屬大孔徑設計
With Larger Through Hole

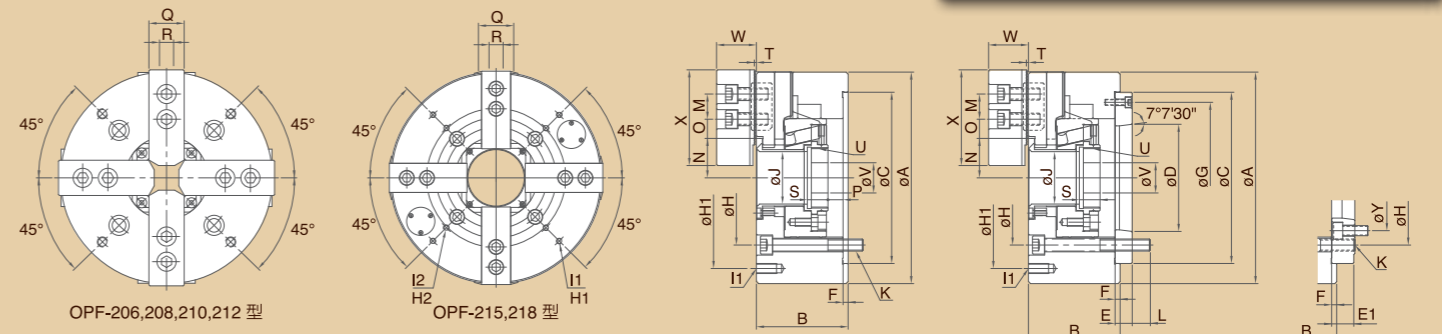
尺寸圖 > Dimensions



OPF 4-JAW HIGH SPEED HOLLOW POWER CHUCKS

四爪高速中空油壓夾頭

尺寸圖 > Dimensions



規格表 > Specifications

單位/UNIT:mm

型式/規格 MODEL /SPEC.	主軸 鼻端番號 Nose Of Spindle	A	B	C (h6)	D	E	E1	F	G	H	H1	I1	H2	I2	H3
OP-204	--	110	59	85	--	--	--	4	--	70.6	--	--	--	--	--
OP-205	A ₂ -4	135	60	110	63.513	20	--	4	96	82.6	PCDø118	3-M8x1.25P	--	--	--
OP-206	A ₂ -5	169	81	140	82.563	15	--	5	116	104.8	PCDø145	6-M10x1.5P	--	--	--
OP-208	A ₂ -6(A ₂ -5)	210	91	170	106.375	17	23	5	150	133.4	PCDø180	6-M10x1.5P	--	--	--
OP-210	A ₂ -8(A ₂ -6)	254	100	220	139.719	18	28	5	190	171.4	PCDø225	6-M12x1.75P	--	--	--
OP-212	A ₂ -8	304	110	220	139.719	18	--	6	190	171.4	PCDø250	6-M12x1.75P	--	--	--
OP-215	A ₂ -11(A ₂ -8)	381	133	300	196.869	22	33	6	260	235	--	--	PCDø230	3-M12x1.75P	PCDø300
OP-218	A ₂ -11(A ₂ -8)	450	133	300	196.869	22	33	6	260	235	PCDø230	3-M12x1.75P	PCDø300	3-M12x1.75P	PCDø380
OP-221	A ₂ -15(A ₂ -11)	530	140	380	285.775	27	41	6	330.2	330.2	PCDø300	3-M16x2P	PCDø380	3-M16x2P	PCDø460
OP-224	A ₂ -20(A ₂ -15)	610	149	520	412.745	27	42	6	463.6	463.6	PCDø350	3-M16x2P	PCDø450	3-M16x2P	PCDø550
OP-210BH	A ₂ -8(A ₂ -6)	254	100	220	139.719	18	28	5	190	171.4	--	--	PCDø160	3-M12x1.75P	PCDø220
OP-212BH	A ₂ -8	304	108	220	139.719	18	--	6	190	171.4	--	--	PCDø170	3-M16x2P	PCDø260

型式/規格 MODEL /SPEC.	I3	J	K	L	M	N max.	N min.	O max.	O min.	P max.	P min.	Q	R	S	T	U	V	W	X
OP-204	--	26	3-M10x1.5P	--	14	23	20.3	11.5	6.7	3.5	-6.5	23	10	17.5	2	M32x1.5P	12	24	49.5
OP-205	--	33	3-M10x1.5P	15	14	26.2	23.5	19	6	1	-9	25	10	20	2	M40x1.5P	12	31.5	62
OP-206	--	45	6-M10x1.5P	16	20	32.35	29.6	24	7	11	-1	31	12	19	2	M55x2P	20	37.5	73
OP-208	--	52	6-M12x1.75P	18	25	39.1	35.4	30	11.6	14.5	-1.5	35	14	20.5	2	M60x2P	30	39.5	95
OP-210	--	75	6-M16x2P	23	30	51.5	47.1	34	12	8.5	-10.5	40	16	25	2	M85x2P	40	43	110
OP-212	--	91	6-M16x2P	25	30	61.6	56.3	46	12	8	-15	50	21	28	2	M100x2P	50	51	129
OP-215	3-M12x1.75P	117.5	6-M20x2.5P	28	43	82.3	77	46	13	7.5	-16	62	22	42.5	5	M130x2P	48	66.5	165
OP-218	3-M12x1.75P	120	6-M20x2.5P	28	43	83.8	78.5	78	18	7.5	-16	62	22	42.5	5	M130x2P	48	66.5	165
OP-221	3-M16x2P	180	6-M24x3P	35	60	119.6	114.3	63.3	21.3	10.5	-13	65	25	42.5	5	M195x2P	80	73.5	180
OP-224	3-M16x2P	205	6-M24x3P	36	60	134.4	128.4	87.3	21.3	13.5	-11	65	25	41	5	M220x3P	80	73.5	180
OP-210BH	3-M12x1.75P	78	6-M16x2P	24	30	53.1	48.6	33.55	11.05	8.95	-10.55	40	16	25	2	M87x2P	40	43	110
OP-212BH	3-M16x2P	93	6-M16x2P	27	30	63.7	58.7	45.55	12.55	8.65	-13.05	50	21	26	2	M103x2P	50	51	129

型式/規格 MODEL /SPEC.	Y	通孔直徑 Thru-Hole [Diameter] (mm)	柱塞行程 Plunger Stroke (mm)	爪行程 (直徑) Jaw Stroke [Diameter] (mm)	最高迴轉速 Max.Speed r.p.m.(min ⁻¹)	最大拉力 Max. Pull Force kgf (kN)	最大靜夾持力 Max. Gripping Force kgf (kN)	最大設定 油壓壓力 Max. Hydr. Pressure kgf/cm ² (MPa)	淨重 Weight (kg)	搭配 油壓缸型號 Matching Cylinder	夾持範圍 Gripping Range
OP-204	--	26	10	5.4	8000	1428 (14)	2850 (28)	24 (2.3)	3.8	P0928	ø7~ø110
OP-205	--	33	10	5.4	7000	1730 (17)	3570 (35)	29 (2.8)	6.1	P1036	ø10~ø135
OP-206	--	45	12	5.5	6000	2140 (21)	5710 (56)	28 (2.7)	12.5	P1246	ø13~ø169
OP-208	104.8	52	16	7.4	5000	3360 (33)	8360 (82)	26 (2.5)	21.9	P1552	ø13~ø210
OP-210	133.4	75	19	8.8	4200	4280 (42)	11010 (108)	27 (2.6)	33.7	P1875	ø30~ø254
OP-212	--	91	23	10.6	3300	5500 (54)	14380 (141)	27 (2.6)	55.3	P2091	ø35~ø304
OP-215	171.4	117.5	23	10.6	2500	7140 (70)	18250 (179)	24.5 (2.4)	106.8	P2511	ø35~ø381
OP-218	171.4	120	23	10.6	2000	7140 (70)	18250 (179)	24.5 (2.4)	152	P2511	ø40~ø450
OP-221	235	180	23	10.6	1700	9080 (89)	23760 (233)	23.5 (2.3)	195.2	P3420	ø115~ø530
OP-224	330.2	205	26	12	1400	9080 (89)	23760 (233)	23.5 (2.3)	269.4	P3420	ø140~ø610
OP-210BH	133.4	78	19.5	9	4200	4280 (42)	11010 (108)	27 (2.6)	36.7	P1878	ø30~ø254
OP-212BH	--	93	21	10	3300	5500 (54)	14380 (141)	28 (2.7)	57.4	P2093	ø35~ø304

規格表 > Specifications

單位/UNIT:mm

型式/規格 MODEL /SPEC.	主軸鼻端番號 Nose Of Spindle	A	B	C (h6)	D	E	E1	F	G	H	H1	I1	H2	I2
OPF-206	A ₂ -5	169	81	140	82.563	15	--	5	116	104.8	PCDø145	4-M10x1.5P	--	--
OPF-208	A ₂ -6(A ₂ -5)	210	91	170	106.375	17	23	5	150	133.4	PCDø180	4-M10x1.5P	--	--
OPF-210	A ₂ -8(A ₂ -6)	254	100	220	139.719	18	28	5	190	171.4	PCDø225	4-M12x1.75P	--	--
OPF-212	A ₂ -8	304	110	220	139.719	18	--	6	190	171.4	PCDø250	4-M12x1.75P	--	--
OPF-215	A ₂ -11(A ₂ -8)	381	133	300	196.869	22	33	6	260	235	PCDø324	4-M12x1.75P	--	--
OPF-218	A ₂ -11(A ₂ -8)	450	133	300	196.869	22	33	6	260	235	PCDø300	4-M12x1.75P	PCDø380	4-M12x1.75P

型式/規格 MODEL /SPEC.	J	K	L	M	N max.	N min.	O max.	O min.	P max.	P min.	Q	R	S	T	U	V	W	X	Y
OPF-206	45	4-M10x1.5P	16	20	32.35	29.6	24	7	11	-1	31	12	19	2	M55x2P	20	37.5	73	--
OPF-208	52	4-M12x1.75P	18	25	39.1	35.4	30	11.6	14.5	-1.5	35	14	20.5	2	M60x2P	30	39.5	95	104.8
OPF-210	75	4-M16x2P	23	30	51.5	47.1	34	12	8.5	-10.5	40	16	25	2	M85x2P	40	43	110	133.4
OPF-212	91	4-M16x2P	25	30	61.6	56.3	46	12	8	-15	50	21	28	2	M100x2P	50	51	129	--
OPF-215	117.5	4-M20x2.5P	28	43	82.3	77	46	13	7	-16	62	22	42.5	5	M130x2P	48	66.5	165	171.4
OPF-218	120	4-M20x2.5P	28	43	83.8	78.5	78	16.5	7	-16	62	22	42.5	5	M130x2P	48	66.5	165	171.4

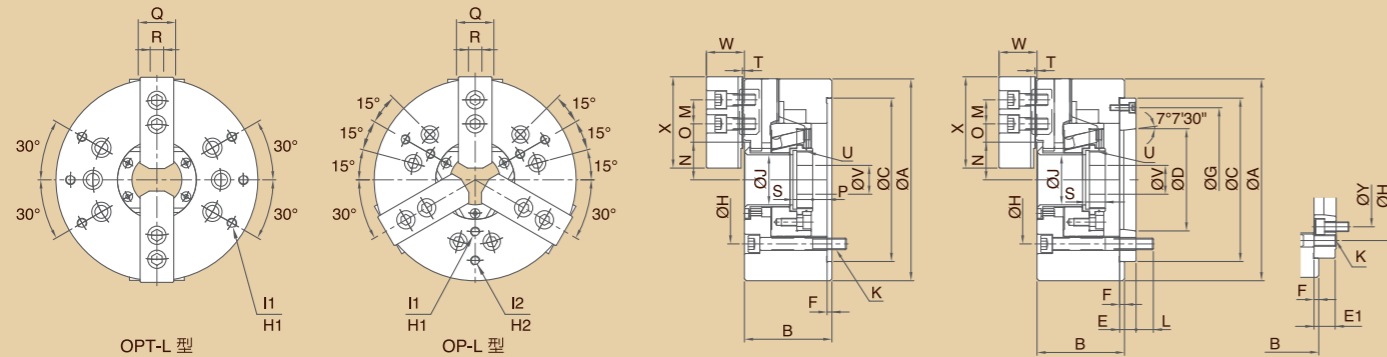
型式/規格 MODEL /SPEC.	通孔直徑 Thru-Hole [Diameter] (mm)	柱塞行程 Plunger Stroke (mm)	爪行程 (直徑) Jaw Stroke [Diameter] (mm)	最高迴轉速 Max.Speed r.p.m.(min ⁻¹)	最大拉力 Max. Pull Force kgf (kN)	最大靜夾持力 Max. Gripping Force kgf (kN)	最大設定 油壓壓力 Max. Hydr. Pressure kgf/cm ² (MPa)	淨重 Weight (kg)	搭配 油壓缸型號 Matching Cylinder	夾持範圍 Gripping Range
OPF-206	45	12	5.5	4500	1630 (16)	4180 (41)	21 (2.1)	14.2	P1246	ø22~ø169
OPF-208	52	16	7.4	3600	2440 (24)	6010 (59)	19 (1.9)	24.5	P1552	ø25~ø210
OPF-210	75	19	8.8	3200	3160 (31)	8050 (79)	20 (2.0)	38.1	P1875	ø28~ø254
OPF-212	91	23	10.6	2500	4080 (40)	10400 (102)	20 (2.0)	60.5	P2091	ø35~ø304
OPF-215	117.5	23	10.6	1800	5400 (53)	13600 (134)	19 (1.9)	111.5	P2511	ø63~ø381
OPF-218	120	23	10.6	1500	5400 (53)	13600 (134)	19 (1.9)	164.5	P2511	ø80~ø450

OP-L, OPT-L LONG STROKE HOLLOW POWER CHUCKS

中空長行程油壓夾頭



尺寸圖 > Dimensions



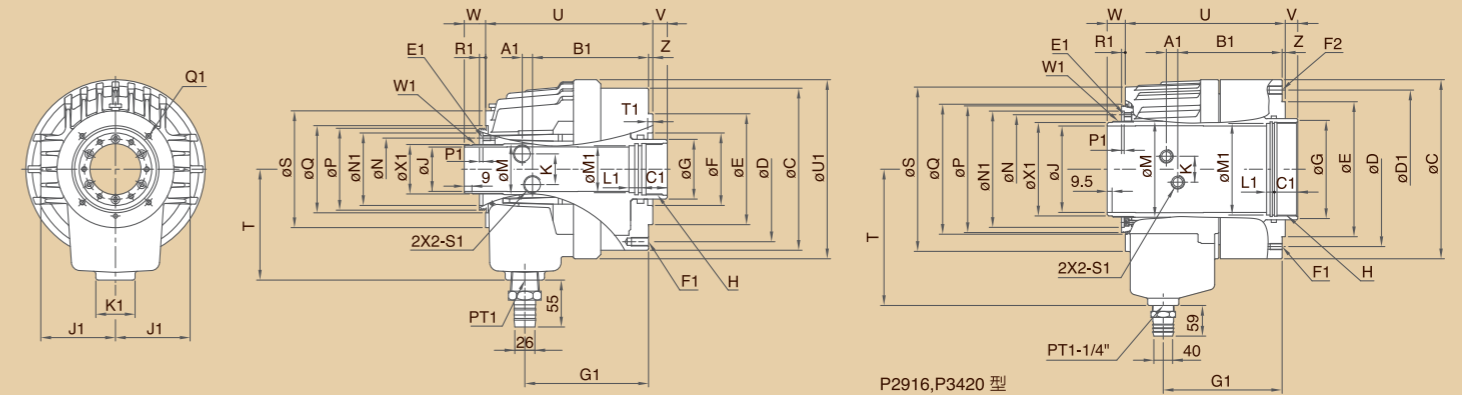
P SUPER HIGH SPEED HOLLOW ROTARY HYDRAULIC CYLINDERS

高速中空油壓迴轉缸

L: 加長行程
L: Longer stroke



尺寸圖 > Dimensions



規格表 > Specifications

單位/UNIT:mm

型式/規格 MODEL /SPEC.	主軸鼻端番號 Nose Of Spindle	A	B	C (h6)	D	E	E1	F	G	H	H1	I1
OP-206L	A ₂ -5	173	87	140	82.563	15	--	5	116	104.8	PCDø90	3-M8x1.25P
OP-208L	A ₂ -6(A ₂ -5)	215	103	170	106.375	17	23	5	150	133.4	PCDø120	3-M8x1.25P
OP-210L	A ₂ -8(A ₂ -6)	256	112	220	139.719	18	28	5	190	171.4	PCDø160	3-M12x1.75P
OPT-206L	A ₂ -5	173	87	140	82.563	15	--	5	116	104.8	PCDø140	6-M10x1.5P
OPT-208L	A ₂ -6(A ₂ -5)	215	103	170	106.375	17	23	5	150	133.4	PCDø180	6-M10x1.5P
OPT-210L	A ₂ -8(A ₂ -6)	256	112	220	139.719	18	28	5	190	171.4	PCDø225	6-M12x1.75P

型式/規格 MODEL /SPEC.	H2	I2	J	K	L	M	N max.	N min.	O max.	O min.
OP-206L	PCDø140	3-M8x1.25P	45	6-M10x1.5P	15	20	39.07	33.46	21.05	10.55
OP-208L	PCDø170	3-M8x1.25P	52	6-M12x1.75P	21	25	47.85	39.66	25.05	14.55
OP-210L	PCDø220	3-M12x1.75P	75	6-M16x2P	22	30	61.34	52.06	29.05	12.55
OPT-206L	--	--	45	6-M10x1.5P	15	20	39.07	33.46	21.05	10.55
OPT-208L	--	--	52	6-M12x1.75P	21	25	47.85	39.66	25.05	14.55
OPT-210L	--	--	75	6-M16x2P	22	30	61.34	52.06	29.05	12.55

型式/規格 MODEL /SPEC.	P max.	P min.	Q	R	S	T	U	V	W	X	Y	通孔直徑 Thru-Hole [Diameter] (mm)	柱塞行程 Plunger Stroke (mm)
OP-206L	11	-4	31	12	19	2	M55x2P	20	37.5	73	--	45	15
OP-208L	14.5	-7.5	35	14	20.5	2	M60x2P	30	39.5	95	104.8	52	22
OP-210L	8.5	-16.5	40	16	25	2	M85x2P	40	43	110	133.4	75	25
OPT-206L	11	-4	31	12	19	2	M55x2P	20	37.5	73	--	45	15
OPT-208L	14.5	-7.5	35	14	20.5	2	M60x2P	30	39.5	95	104.8	52	22
OPT-210L	8.5	-16.5	40	16	25	2	M85x2P	40	43	110	133.4	75	25

型式/規格 MODEL /SPEC.	爪行程 [直徑] Jaw Stroke [Diameter] (mm)	最高迴轉速 Max.Speed r.p.m.(min ⁻¹)	最大拉力 Max. Pull Force kgf (kN)	最大靜夾持力 Max. Gripping Force kgf (kN)	最大設定 油壓壓力 Max. Hydr. Pressure kgf/cm ² (MPa)	淨重 Weight (kg)	搭配 油壓缸型號 Matching Cylinder	夾持範圍 Gripping Range
OP-206L	10.8	4300	2140 (21)	4080 (40)	28 (2.7)	14.9	P1246	ø20~ø173
OP-208L	16	3500	3360 (33)	5910 (58)	26 (2.5)	37	P1552	ø25~ø215
OP-210L	18	3000	4280 (42)	7540 (74)	27 (2.6)	40.6	P1875	ø40~ø256
OPT-206L	10.8	4300	1420 (14)	2650 (26)	18.5 (1.8)	14.5	P1246	ø20~ø173
OPT-208L	16	3500	2240 (22)	3870 (38)	17 (1.7)	26.4	P1552	ø25~ø215
OPT-210L	18	3000	2850 (28)	4990 (49)	18 (1.8)	39.5	P1875	ø40~ø256

規格表 > Specifications

單位/UNIT:mm

型式/規格 MODEL /SPEC.	A1	B1	C	C1	D	D1	E (h7)	E1	F	F1	F2	G	G1	H	J	J1	K	K1	L1
P0928	9	109	120	25	100	--	80	8-M5x0.8P	60	6-M8x1.25P	--	45	114	M38x1.5P	28	60	25	46	15
P1036	11	120	136	25	115	--	100	6-M5x0.8P	65	6-M10x1.5P	--	48	126	M42x1.5P	36	66	32	46	15
P1246	12	126.5	155	30	130	--	100	6-M6x1P	80	12-M10x1.5P	--	65	133	M55x2P	46	76	36	46	15
P1552	12	136	190	30	170	--	130	6-M6x1P	85	12-M10x1.5P	--	70	145	M60x2P	52	87.5	36	46	15
P1875	17.5	154.5	215	35	190	--	160	6-M6x1P	125	12-M10x1.5P	--	95	163.5	M85x2P	75	101	36	46	15
P1878	17.5	154.5	215	35	190	--	160	6-M6x1P	125	12-M10x1.5P	--	98.5	163.5	M87x2P	78	101	36	46	15
P2091	21	168	240	35	215	--	180	6-M6x1P	140	12-M12x1.75P	--	110	183	M100x2P	91	110	36	46	15
P2093	21	168	240	35	215	--	180	6-M6x1P	140	12-M12x1.75P	--	115	183	M103x2P	93	110	36	46	15
P2511	21	180	310	45	275	--	230	6-M6x1P	166	12-M16x2P	--	140	190.5	M130x2P	120.1	135	40	46	15
P2916	22	201	345	45	298	305	260	6-M8x1.25P	220	12-M12x1.75P	12-M16x2P	195	229	M180x3P	166.5	180	50	60	15
P3420	22	223	405	45	360	--	320	6-M8x1.25P	260	12-M20x2.5P	--	235	247	M220x3P	205	210	50	60	20
P2916L	22	217	345	45	298	305	260	6-M8x1.25P	220	12-M12x1.75P	12-M16x2P	195	245	M180x3P	166.5	180	50	60	15

型式/規格 MODEL /SPEC.	M	M1	N	N1	P	P1	Q	Q1	R1	S	S1	T	T1	U	U1	V max.	V min.	W max.	W1	W min.	X1
P0928	34.6	34	44	53	59	4	64.8	4-M4x0.7P(PCDø76)	5	95	PT1/4	105	4	159	137	9.05	-0.95	33.95	M34x1.5P	23.95	31.8
P1036	44.6	38	55	64	73	6	80	4-M5x0.8P(PCDø88)	5	105	PT3/8	115	6	179	154	10	-5	39	M44x1.5P	24	42
P1246	52.9	50	64	76	85	4	90	4-M5x0.8P(PCDø98)	6	116	PT1/2	115	6	184	172	10	-5	40	M52x1.5P	25	50
P1552	59.6	55	73	85	96	4	102	4-M6x1P(PCDø110)	7	137	PT1/2	130	6	196	210	17	-5	47	M58x1.5P	25	56
P1875	84.6	80	98	108	121	4	131	4-M6x1P(PCDø155)	7	165	PT1/2	160	4	230	235	20	-5	50	M84x2P	25	81
P1878	84.6	83	98	108	121	4	131	4-M6x1P(PCDø155)	7	165	PT1/2	160	4	230	235	20	-5	50	M84x2P	25	81
P2091	99.6	95	108	120	138	4	147	4-M6x1P(PCDø165)	7	180	PT1/2	185	6	253	260	25	-5	55	M99x2P	25	96
P2093	99.6	100	108	120	138	4	147	4-M6x1P(PCDø165)	7	180	PT1/2	185	6	253	260	25	-5	55	M99x2P	25	96
P2511	134.6	125	148	160	178	4	184	4-M6x1P(PCDø206)	7	233	PT1/2	210	7	270.5	--	24	-6	55	M134x2P	25	131
P2916	185	176.5	210	224	244	5	250	6-M6x1P(PCDø275)	7	310	PT3/4	262.5	6	308	--	24	-6	65	M185x3P	35	180
P3420	225	210	250	264	284	5	290	6-M6x1P(PCDø315)	7	365	PT3/4	300	6	334	--	36	-6	77	M225x3P	35	220
P2916L	185	176.5	210	224	244	5	250	6-M6x1P(PCDø275)	7	310	PT3/4	262.5	6	324	--	36	-6	77	M185x3P	35	180

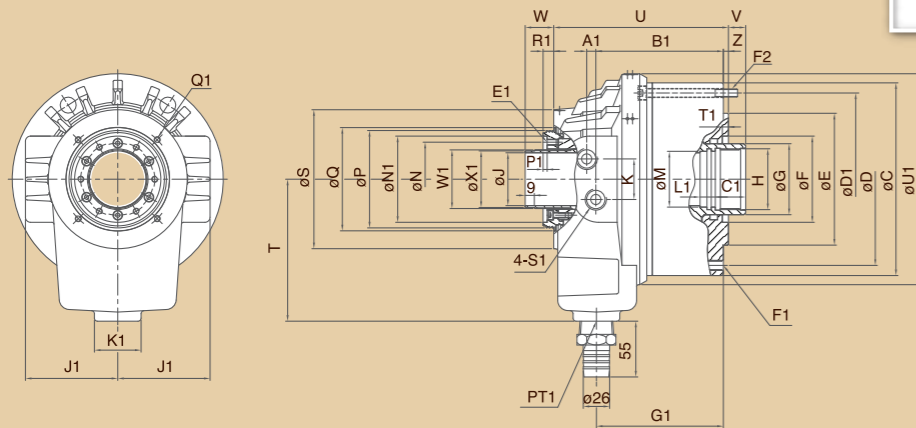
型式/規格 MODEL /SPEC.	活塞行程 Piston Stroke (mm)	最高迴轉速 Max. Speed r.p.m.(min ⁻¹)	活塞直徑 Piston Dia.(mm)	慣性矩 Moment of Inertia (kg·m ²)	流量 Oil Leakage Rate (l/min)	最高 使用壓力 Max. Pressure kgf/cm ² (MPa)	活塞面積 Piston Area(cm ²)	最大推(拉)力 Max. Operating Force kgf (kN)	淨重 Weight (kg)			
P0928	5	10	8000	90	0.008	3.0	40 (3.9)	54	47.5	2000 (19.6)	1750 (17.2)	6.5
P1036	5	15	8000	105	0.012	3.0	40 (3.9)	70	68	2500 (24.5)	2400 (23.5)	9.0
P1246	5	15	7000	125	0.019	3.0	40 (3.9)	100	89	3700 (36.2)	3200 (31.3)	11.9
P1552	5	22	6200	155	0.053	3.9	40 (3.9)	160	150	5900 (57.8)	5500 (53.9)	17.3
P1875	5	25	4700	180	0.096	4.2	40 (3.9)	198	183	6900 (67.6)	6400 (62.7)	26.1
P1878	5	25	4700	180	0.096	4.2	40 (3.9)	198	178	6900 (67.6)	6200 (60.8)	25.5
P2091	5	30	3800	205	0.16	4.5	40 (3.9)	252	235	8200 (80.4)	7700 (75.5)	33.3
P2093	5	30	3800	205	0.16	4.5	40 (3.9)	252	226	8200 (80.4)	7400 (72.5)	32.9
P2511	6	30	2800	250	0.5	7.0	40 (3.9)	348	336	11800 (115.7)	11400 (111.8)	56.1
P2916	6	30	2000	290	1.6	11	38 (3.7)	391	361	11700 (114.7)	10500 (103)	96.1
P3420	6	42	1600	340	3.2	14	35 (3.4)	510	474	14300 (140.2)	13300 (130.4)	138.5
P2916L	6	42	2000	290	1.6	11	38 (3.7)	391	361	11700 (114.7)	10500 (103)	100.4

★流量測試標準-壓力:30kgf/cm²(2.94MPa) 油溫:50°C ★Test standard of oil leakage: Pressure-30 kgf/cm²(2.94MPa), Oil temperature-50°C

薄型高速中空油壓迴轉缸



尺寸圖 >> Dimensions



規格表 >> Specifications

單位/UNIT:mm

型式/規格 MODEL / SPEC.	A1	B1	C	C1	D	D1	E (h7)	E1	F	F1	F2	G	G1	H	J	J1
F1033S	9	107.1	140	25	125	125	110	6-M6x1P	65	6-M10x1.5P	6-M8x1.25P	45	110.5	M38x1.5P	33	67.5
F1036S	9	107.1	140	25	115	125	100	6-M5x0.8P	65	6-M10x1.5P	6-M8x1.25P	48	110.5	M42x1.5P	36	67.5
F1246S	9	117.7	165	30	130	147	100	6-M6x1P	80	6-M10x1.5P	6-M8x1.25P	65	117	M55x2P	46	80
F1552S	9	125.7	190	30	170	170	130	6-M6x1P	85	12-M10x1.5P	6-M8x1.25P	70	125	M60x2P	52	91
F1875S	11.6	143	215	35	190	196	160	6-M6x1P	125	12-M10x1.5P	6-M10x1.5P	95	143	M85x2P	75	107

型式/規格 MODEL / SPEC.	K	K1	L1	M	N	N1	P	P1	Q	Q1	R1	S	S1	T	T1	U
F1033S	38	46	15	35	49	62	70	4	74	4-M5x0.8P(PCDø83)	6	103	PT 1/4	115	6	158.1
F1036S	38	46	15	38	55	64	73	4	79	4-M5x0.8P(PCDø88)	10	103	PT 3/8	115	6	158.1
F1246S	40	46	15	50	64	76	85	4	90	4-M5x0.8P(PCDø98)	10.5	121	PT 1/2	125	6	164.2
F1552S	40	46	15	55	73	85	96	4	102	4-M6x1P(PCDø110)	10.5	137	PT 1/2	140	6	172.2
F1875S	40	46	15	80	98	108	120	4	126	4-M6x1P(PCDø155)	10.5	165	PT 1/2	170	4	197.3

型式/規格 MODEL / SPEC.	U1	V max.	V min.	W max.	W1	W min.	X1	活塞行程 Piston Stroke (mm)	Z	最高迴轉速 Max.Speed r.p.m.(min ⁻¹)	活塞直徑 Piston Dia (mm)	慣性矩I Moment of Inertia (kg·m ²)
F1033S	160	10.05	-4.95	39.8	M39x1.5P	24.8	37	15	5	8000	105	0.012
F1036S	160	10.05	-4.95	43.8	M44x1.5P	28.8	41.8	15	5	8000	105	0.012
F1246S	180	10.05	-4.95	44.25	M52x1.5P	29.25	49.8	15	5	7000	125	0.019
F1552S	205	17.05	-4.95	50.15	M58x1.5P	28.15	55.8	22	5	6200	155	0.053
F1875S	231	20.05	-4.95	53.15	M84x2P	28.15	80.8	25	5	4700	180	0.096

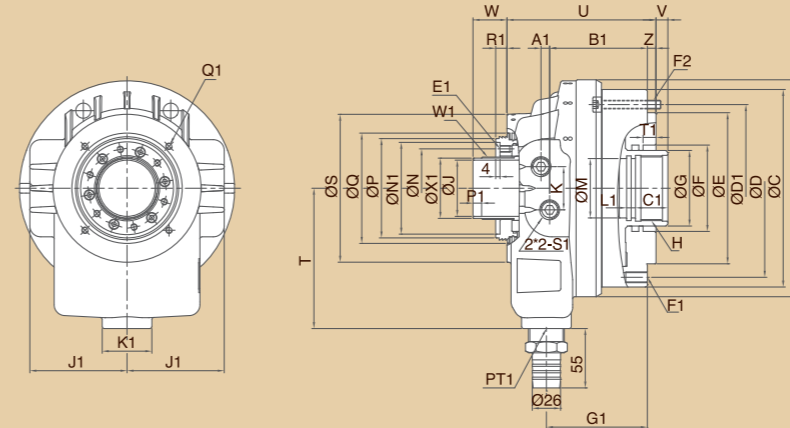
型式/規格 MODEL / SPEC.	流量 Oil Leakage Rate (ℓ/min)	最高使用壓力 Max. Pressure kgf/cm ² (MPa)	活塞面積 Piston Area (cm ²)		最大推(拉)力 Max. Operating Force				淨重 Weight (kg)	
			推力側 Push Side	拉力側 Pull Side	推力側 Push Side kgf	拉力側 Pull Side kgf	推力側 Push Side (kN)	拉力側 Pull Side (kN)		
F1033S	3.0	40	(3.9)	74	70	2600	(25.5)	2500	(24.5)	8.2
F1036S	3.0	40	(3.9)	70	68	2500	(24.5)	2400	(23.5)	8.4
F1246S	3.0	40	(3.9)	100	89	3700	(36.2)	3200	(31.3)	11.5
F1552S	3.9	40	(3.9)	160	150	5900	(57.8)	5500	(53.9)	15.4
F1875S	4.2	40	(3.9)	198	183	7200	(70.5)	6700	(65.6)	22.9

★流量測試標準-壓力:30kgf/cm²(2.94MPa) 油溫:50°C ★Test standard of oil leakage: Pressure-30 kgf/cm²(2.94MPa), Oil temperature-50°C

超薄型高速中空油壓迴轉缸



尺寸圖 >> Dimensions



規格表 >> Specifications

單位/UNIT:mm

型式/規格 MODEL / SPEC.	A1	B1	C	C1	D	D1	E (h7)	E1	F	F1	F2	G	G1	H	J
PA1246	8	80.5	165	25	147	147	130	6-M6x1P	75	12-M10x1.5P	6-M8x1.25P	65	86	M55x2P	46
PA1452	8	90	183	30	165	165	140	6-M6x1P	80	6-M10x1.5P	6-M8x1.25P	70	93.5	M60x2P	52
PA1775	10.5	109.9	215	35	195	195	160	6-M6x1P	105	12-M10x1.5P	6-M10x1.5P	95	111	M85x2P	75

型式/規格 MODEL / SPEC.	J1	K	K1	L1	M	N	N1	P	P1	Q	Q1	R1	S	S1	T	T1
PA1246	80	40	46	15	50	64	76	85	9	90	4-M5x0.8P(PCDø98)	10.5	121	PT 3/8	120	12
PA1452	90	40	46	15	55	73	85	96	8	102	4-M6x1P(PCDø110)	10.5	137	PT 3/8	130	12
PA1775	106	46	46	15	80	98	108	120	9	126	4-M6x1P(PCDø155)	10.5	165	PT 1/2	160	12

型式/規格 MODEL / SPEC.	U	U1	V max.	V min.	W max.	W1	W min.	X1	Z	活塞行程 Piston Stroke (mm)	最高迴轉速 Max.Speed r.p.m.(min ⁻¹)	活塞直徑 Piston Dia (mm)
PA1246	120	183	5	-11	45	M52x1.5P	29	49.8	8	16	8000	128
PA1452	138	201	11	-11	53.5	M58x1.5P	31.5	55.8	8	22	6500	145
PA1775	165	233	14	-11	57	M84x2P	32	80.8	8	25	5500	170

型式/規格 MODEL / SPEC.	慣性矩I Moment of Inertia (kg·m ²)	流量 Oil Leakage Rate (ℓ/min)	最高使用壓力 Max. Pressure kgf/cm ² (MPa)	活塞面積 Piston Area (cm ²)		最大推(拉)力 Max. Operating Force				
				推力側 Push Side	拉力側 Pull Side	推力側 Push Side kgf	拉力側 Pull Side kgf	推力側 Push Side (kN)	拉力側 Pull Side (kN)	
PA1246	0.02	3.0	46	(4.5)	103.5	92	4250	(41.6)	3800	(37.5)
PA1452	0.035	3.9	46	(4.5)	134	123	5500	(53.9)	5100	(50)
PA1775	0.065	4.2	46	(4.5)	165	151	6800	(66.7)	6300	(61.8)

★流量測試標準-壓力:30kgf/cm²(2.94MPa) 油溫:50°C ★Test standard of oil leakage: Pressure-30 kgf/cm²(2.94MPa), Oil temperature-50°C

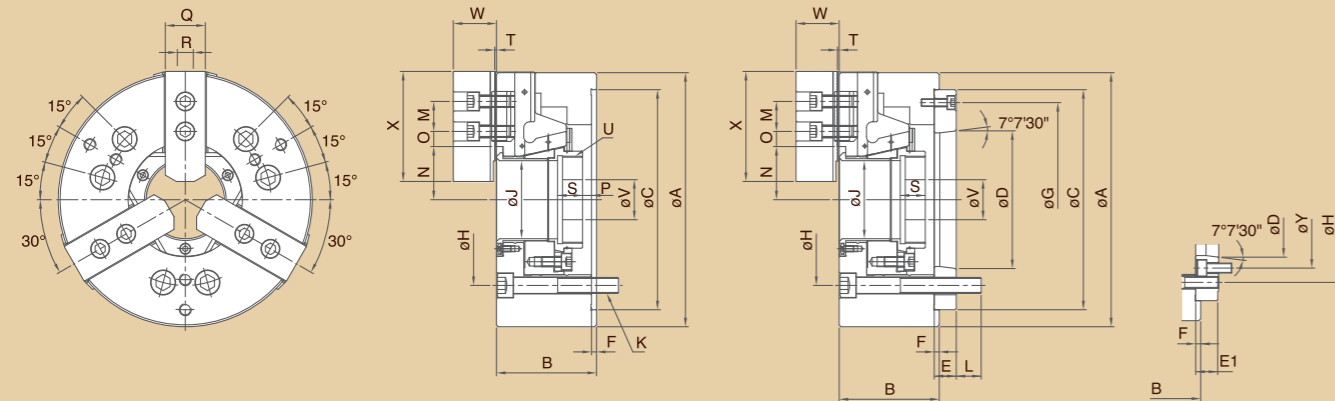
OPB LARGE THROUGH HOLE 3-JAW HIGH SPEED POWER CHUCKS

大孔徑三爪 高速中空油壓夾頭

新產品
NEW



尺寸圖 >> Dimensions



規格表 >> Specifications

單位/UNIT:mm

型式/規格 MODEL / SPEC.	主軸鼻端番號 Nose Of Spindle		A	B	C (h6)	D	E	E1	F	G	H	J	K
OPB-206	A ₂ -5		170	81	140	82.563	--	20	5	--	PCD ϕ 122	52	6-M10x1.5P
OPB-208	A ₂ -6		215	91	170	106.375	--	22	5	--	PCD ϕ 150	66	6-M12x1.75P
OPB-210	A ₂ -8		256	100	220	139.719	--	28	5	--	PCD ϕ 180	81	6-M16x2P
OPB-212	A ₂ -11(A ₂ -8)		315	108	300	196.869	22	33	5	260	PCD ϕ 235	106	6-M20x2.5P
OPB-215	A ₂ -15(A ₂ -11)		405	133	380	285.775	27	41	6	330.2	PCD ϕ 330.2	142	6-M24x3P
OPB-218	A ₂ -15(A ₂ -11)		455	134	380	285.775	27	41	6	330.2	PCD ϕ 330.2	166.5	6-M24x3P

型式/規格 MODEL / SPEC.	L	M	N max.	N min.	O max.	O min.	P max.	P min.	Q	R	S	T	U
OPB-206	--	20	36.35	33.6	21.1	9.1	7	-5	31	12	23	2	M60x2P
OPB-208	--	25	46.6	42.9	26.6	11.6	10	-6	35	14	25	2	M75x2P
OPB-210	--	30	54.6	50.1	33.1	13.6	8.5	-10.5	40	16	25	2	M90x2P
OPB-212	27	30	69.7	64.3	45.6	12.6	8	-15	50	21	28	2	M115x2P
OPB-215	32	43	95.1	89.5	43.55	16.55	8	-15	62	22	42.5	5	M155x2P
OPB-218	32	43	108.29	102.45	55.55	16.55	11.5	-13	62	22	38	5	M180x3P

型式/規格 MODEL / SPEC.	V	W	X	Y	通孔直徑 Thru-Hole [Diameter] (mm)	柱塞行程 Plunger Stroke (mm)	爪行程〔直徑〕 Jaw Stroke [Diameter] (mm)	最高迴轉速 Max.Speed r.p.m.(min ⁻¹)
OPB-206	20	37.5	73	104.8	52	12	5.5	6000
OPB-208	30	39.5	80	133.4	66	16	7.4	5000
OPB-210	40	43	110	171.4	81	19	8.8	4200
OPB-212	50	51	129	171.4	106	23	10.6	3400
OPB-215	80	66	165	235	142	23	10.6	2500
OPB-218	80	66	165	235	166.5	24.5	11.3	2000

型式/規格 MODEL / SPEC.	最大拉力 Max. Pull Force kgf (kN)		最大靜夾持力 Max. Gripping Force kgf (kN)		最大設定油壓壓力 Max. Hydr. Pressure kgf/cm ² (MPa)		淨重 Weight (kg)	搭配 油壓缸型號 Matching Cylinder	夾持範圍 Gripping Range
OPB-206	2200	(21.5)	5900	(58)	21	(2.0)	12.3	P1452S	ϕ 13~ ϕ 170
OPB-208	3400	(33)	8800	(86)	26	(2.5)	21.7	P1666S	ϕ 50~ ϕ 215
OPB-210	4300	(42)	11100	(109)	29	(2.8)	33.6	P1881S	ϕ 34~ ϕ 254
OPB-212	5600	(55)	14580	(143)	29	(2.8)	57.7	P2110S	ϕ 50~ ϕ 315
OPB-215	7240	(71)	18250	(179)	26	(2.5)	122.5	P2916	ϕ 60~ ϕ 405
OPB-218	7240	(71)	18250	(179)	26	(2.5)	165	P2916	ϕ 80~ ϕ 455

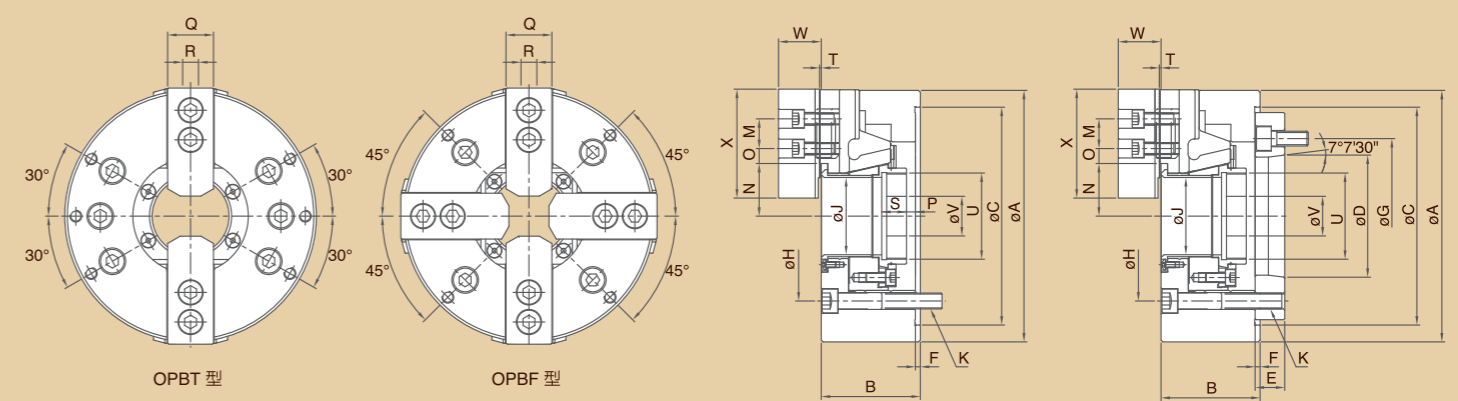
OPBF, OPBT LARGE THROUGH HOLE HIGH SPEED POWER CHUCKS

大孔徑二爪 大孔徑四爪 高速中空油壓夾頭

新產品
NEW



尺寸圖 >> Dimensions



規格表 >> Specifications

單位/UNIT:mm

型式/規格 MODEL / SPEC.	主軸鼻端番號 Nose Of Spindle		A	B	C (h6)	D	E	F	G	H	J
OPBT-206	A ₂ -5		170	81	140	82.563	20	5	PCD ϕ 104.8	PCD ϕ 122	52
OPBT-208	A ₂ -6		215	91	170	106.375	22	5	PCD ϕ 133.4	PCD ϕ 150	66
OPBT-210	A ₂ -8		256	100	220	139.719	28	5	PCD ϕ 171.4	PCD ϕ 180	81
OPBF-206	A ₂ -5		170	81	140	82.563	20	5	PCD ϕ 104.8	PCD ϕ 122	52
OPBF-208	A ₂ -6		215	91	170	106.375	22	5	PCD ϕ 133.4	PCD ϕ 150	66
OPBF-210	A ₂ -8		256	100	220	139.719	28	5	PCD ϕ 171.4	PCD ϕ 180	81

型式/規格 MODEL / SPEC.	K	M	N max.	N min.	O max.	O min.	P max.	P min.	Q	R	S
OPBT-206	6-M10x1.5P	20	36.35	33.6	21.1	9.1	7	-5	31	12	23
OPBT-208	6-M12x1.75P	25	46.6	42.9	26.6	11.6	10	-6	35	14	25
OPBT-210	6-M16x2P	30	54.6	50.1	33.1	13.6	8.5	-10.5	40	16	25
OPBF-206	4-M10x1.5P	20	36.35	33.6	21.1	9.1	7	-5	31	12	23
OPBF-208	4-M12x1.75P	25	46.6	42.9	26.6	11.6	10	-6	35	14	25
OPBF-210	4-M16x2P	30	54.6	50.1	33.1	13.6	8.5	-10.5	40	16	25

型式/規格 MODEL / SPEC.	T	U	V	W	X	通孔直徑 Thru-Hole [Diameter] (mm)	柱塞行程 Plunger Stroke (mm)	爪行程〔直徑〕 Jaw Stroke [Diameter] (mm)
OPBT-206	2	M60x2P	20	37.5	73	52	12	5.5
OPBT-208	2	M75x2P	30	39.5	80	66	16	7.4
OPBT-210	2	M90x2P	40	43	110	81	19	8.8
OPBF-206	2	M60x2P	20	37.5	73	52	12	5.5
OPBF-208	2	M75x2P	30	39.5	80	66	16	7.4
OPBF-210	2	M90x2P	40	43	110	81	19	8.8

型式/規格 MODEL / SPEC.	最高迴轉速 Max.Speed r.p.m.(min ⁻¹)	最大拉力 Max. Pull Force kgf (kN)	最大靜夾持力 Max. Gripping Force kgf (kN)	最大設定油壓壓力 Max. Hydr. Pressure kgf/cm ² (MPa)	搭配 油壓缸型號 Matching Cylinder	夾持範圍 Gripping Range
OPBT-206	6000	1550 (15)	3950 (38.5)	15 (1.4)	P1452S	ϕ 13~ ϕ 170
OPBT-208	5000	2250 (22)	5850 (57)	17 (1.6)	P1666S	ϕ 50~ ϕ 215
OPBT-210	4200	2900 (28)	7400 (72.5)	19.5 (1.9)	P1881S	ϕ 34~ ϕ 254
OPBF-206	4500	1700 (16.5)	4400 (42.5)	16 (1.5)	P1452S	ϕ 22~ ϕ 170
OPBF-208	3600	2500 (24.5)	6450 (63)	19 (1.8)	P1666S	ϕ 50~ ϕ 215
OPBF-210	3200	3200 (31)	8200 (80)	21.5 (2.1)	P1881S	ϕ 32~ ϕ 254

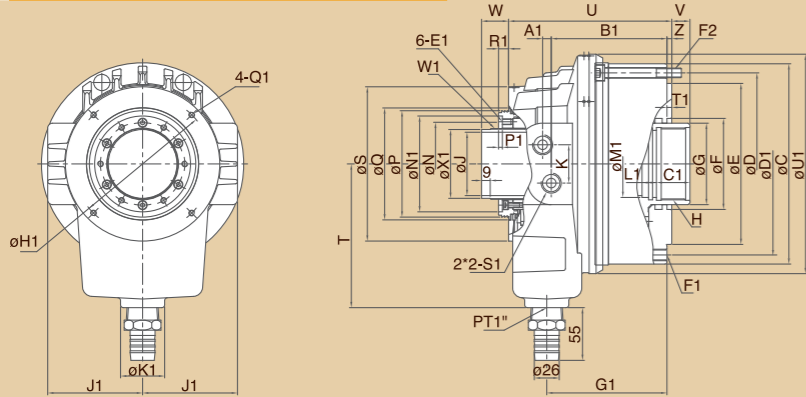
P-S LARGE THROUGH HOLE THIN HOLLOW ROTARY HYDRAULIC CYLINDERS

大孔徑薄型中空油壓迴轉缸

新產品
NEW

- 1.薄型、重量輕：**超薄外型構造，重量比傳統迴轉缸輕，形體結構小型化，在高速迴轉時，可減輕機械負擔。
- 2.大的貫通孔徑：**大孔徑設計使加工物之貫通孔徑的範圍增加。
- 3.安全構造：**內藏止回閥設計，於突發之壓降時仍可保持推力。

尺寸圖 >> Dimensions



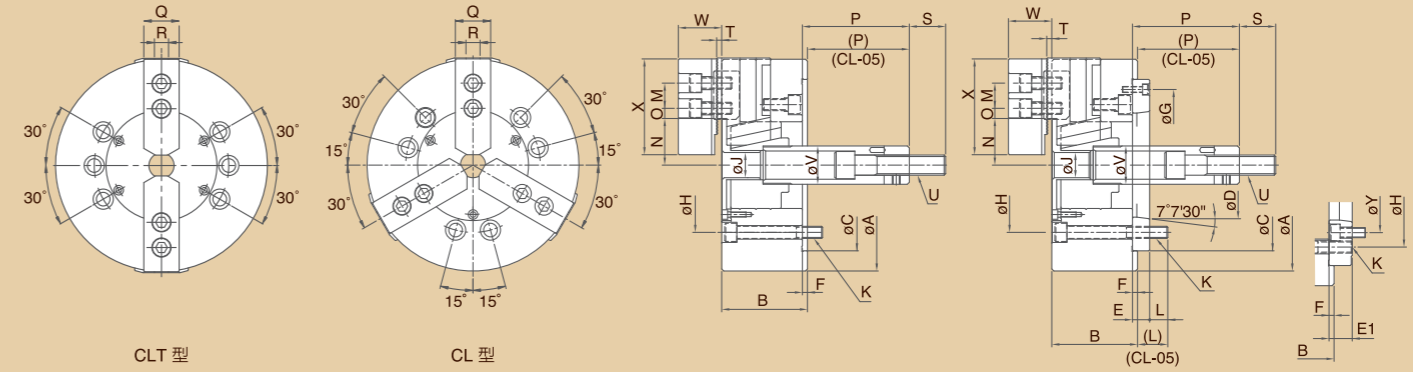
- 1.Thin & Lightweight:** Thin outer structure makes the weight lighter than the traditional rotary cylinders; meanwhile, the compactness and miniaturization lower the burden of machines.
- 2.Large Thru-hole Diameter:** With large open center, gripping range of Bar stock can be increased.
- 3.Built-in Check Valve:** With built-in "check valve", work pieces can be effectively prevented from flying out during abrupt failure of pressure.

CL,CLT SOLID POWER CHUCKS

中實油壓夾頭



尺寸圖 >> Dimensions



規格表 >> Specifications

單位/UNIT:mm

型式/規格 MODEL / SPEC.	A1	B1	C	C1	D	D1	E (h7)	E1	F	F1	F2	G	G1	H
P1452S	9	109.2	180	30	165	165	140	M6x1P	85	6-M10x1.5P	6-M8x1.25P	70	113.9	M60x2P
P1666S	9	120.7	209	35	190	190	168	M6x1P	95	12-M12x1.75P	6-M10x1.5P	85	125.4	M75x2P
P1881S	10.7	133.7	222	35	205	205	168	M6x1P	110	12-M12x1.75P	6-M10x1.5P	100	139.2	M90x2P
P2110S	12	152.2	266	35	240	240	200	M6x1P	135	12-M12x1.75P	6-M12x1.75P	125	158.5	M115x2P

型式/規格 MODEL / SPEC.	H1	J	J1	K	K1	L1	M1	N	N1	P	P1	Q	Q1	R1	S	S1	T	T1
P1452S	120	52	83	40	46	15	55	73	85	96	4	102	M6x1P	10.5	137	PT 1/2	130	4
P1666S	145	66	99	40	46	15	70	88	100	111	4	117	M6x1P	10.5	161	PT 1/2	150	5
P1881S	166	81	107.5	40	46	15	85	103	113	126	4	132	M6x1P	10.5	176	PT 1/2	175	5
P2110S	201	106	125	40	46	15	110	133	145	160	4	166	M6x1P	10.5	210	PT 1/2	200	5

型式/規格 MODEL / SPEC.	U	U1	V max.	V min.	W max.	W1	W min.	X1	Z	活塞行程 Piston Stroke (mm)	最高迴轉速 Max.Speed r.p.m.(min ⁻¹)	活塞直徑 Piston Dia (mm)
P1452S	155.7	201	17	-3	48.2	M58x1.5P	28.2	55.8	5	20	6500	145
P1666S	170.2	229	19	-3	50.2	M74x1.5P	28.2	71.8	5	22	5600	165
P1881S	189.2	240	21.1	-3.9	53.2	M89x2P	28.2	85.8	5	25	4800	180
P2110S	216.7	284	19	-11	58.2	M118x2P	28.2	114.8	5	30	3500	210

型式/規格 MODEL / SPEC.	慣性矩 Moment of Inertia (kg·m ²)	流量 Oil Leakage Rate (ℓ/min)	最高使用壓力 Max. Pressure kgf/cm ² (MPa)	活塞面積 Piston Area (cm ²)		最大推(拉)力 Max. Operating Force				淨重 Weight (kg)
				推力側 Push Side	拉力側 Pull Side	推力側 Push Side	拉力側 Pull Side			
P1452S	0.035	3.9	40 (3.9)	137	126	4860 (47.6)	4464 (43.7)			12.3
P1666S	0.07	4	40 (3.9)	170	157	6048 (59.3)	5580 (54.7)			17.4
P1881S	0.09	4.3	40 (3.9)	191	175	6804 (66.7)	6264 (61.4)			21.9
P2110S	0.20	6.0	35 (3.4)	232	223.5	6900 (67.6)	6650 (65.2)			35.8

★流量測試標準-壓力:30kgf/cm²(2.94MPa) 油溫:50°C ★Test standard of oil leakage: Pressure-30 kgf/cm²(2.94MPa), Oil temperature-50°C

規格表 >> Specifications

單位/UNIT:mm

型式/規格 MODEL / SPEC.	主軸鼻端番號 Nose Of Spindle	A	B	C (h6)	D	E	E1	F	G	H	J	K	L	M
CL-05	Az-4	135	55	80	63.513	--	--	7	--	100	--	3-M8x1.25P	14	14
CL-06	Az-5	165	74	140	82.563	15	--	5	116	104.8	21	6-M10x1.5P	19	20
CL-08	Az-6(Az-5)	210	85	170	106.375	17	23	5	150	133.4	25	6-M12x1.75P	18	25
CL-10	Az-8(Az-6)	254	89	220	139.719	18	28	5	190	171.4	34	6-M16x2P	25	30
CL-12	Az-8	304	106	220	139.719	18	--	6	190	171.4	34	6-M16x2P	20	30
CLT-06	Az-5	165	74	140	82.563	15	--	5	116	104.8	21	6-M10x1.5P	19	20
CLT-08	Az-6(Az-5)	210	85	170	106.375	17	23	5	150	133.4	25	6-M12x1.75P	18	25
CLT-10	Az-8(Az-6)	254	89	220	139.719	18	28	5	190	171.4	34	6-M16x2P	25	30
CLT-12	Az-8	304	106	220	139.719	18	--	6	190	171.4	34	6-M16x2P	20	30

型式/規格 MODEL / SPEC.	N max.	N min.	O max.	O min.	P max.	P min.	Q	R	S	T	U	V	W	X	Y
CL-05	30.4	27.2	17.1	9.6	9	-6	25	10	35	2	M12x1.75P	28	31	62	--
CL-06	37.8	33.25	15.1	9.1	101.5	81.5	31	12	36	4	M16x2P	34	39	73	--
CL-08	46.3	41.9	22.1	10.1	127	106	35	14	36	5	M20x2.5P	38	42	95	104.8
CL-10	51.4	47	30.6	9.6	158	133	40	16	36	5	M20x2.5P	45	46	110	133.4
CL-12	60.63	55.32	48.55	20.05	163	133	50	18	36	5	M20x2.5P	50	54	129	--
CLT-06	37.8	33.25	15.1	9.1	101.5	81.5	31	12	36	4	M16x2P	34	39	73	--
CLT-08	46.3	41.9	22.1	10.1	127	106	35	14	36	5	M20x2.5P	38	42	95	104.8
CLT-10	51.4	47	30.6	9.6	158	133	40	16	36	5	M20x2.5P	45	46	110	133.4
CLT-12	60.7	55.45	48.6	12.6	163	133	50	18	36	5	M20x2.5P	50	54	129	--

型式/規格 MODEL / SPEC.	柱塞行程 Plunger Stroke (mm)	爪行程 [直徑] Jaw Stroke (mm)	最高迴轉速 Max.Speed r.p.m.(min ⁻¹)	最大拉力 Max. Pull Force kgf (kN)	最大靜夾持力 Max. Gripping Force kgf (kN)	最大設定 油壓壓力 Max. Hydr. Pressure kgf/cm ² (MPa)	淨重 Weight (kg)	搭配 油壓缸型號 Matching Cylinder	夾持範圍 Gripping Range
CL-05	15	6.4	5500	800 (7.8)	2450 (24)	25 (2.5)	6	L0815	ø8~ø135
CL-06	20	8.5	5000	1730 (17)	5200 (51)	25 (2.5)	11.4	L1020(L1020R)	ø18~ø165
CL-08	21	8.8	4600	2440 (24)	7440 (73)	25 (2.5)	21.9	L1225(L1225R)	ø12~ø210
CL-10	25	8.8	4000	2850 (28)	10810 (106)	29 (2.8)	33.4	L1225(L1225R)	ø16~ø254
CL-12	30	10.5	3200	4080 (40)	15500 (152)	29 (2.8)	58.5	L1530(L1530R)	ø18~ø304
CLT-06	20	8.5	5000	1220 (12)	3460 (34)	17 (1.7)	11.1	L1020(L1020R)	ø9~ø165
CLT-08	21	8.8	4000	1630 (16)	4990 (49)	16 (1.6)	21.3	L1225(L1225R)	ø12~ø210
CLT-10	25	8.8	3500	1930 (19)	7140 (70)	19 (1.9)	32.6	L1225(L1225R)	ø15~ø254
CLT-12	30	10.5	3000	2750 (27)	10300 (101)	20 (2.0)	57.0	L1530(L1530R)	ø20~ø304

CL-DP 3-JAW SOLID CHUCK WITH ANTI-CHIPS SEALED

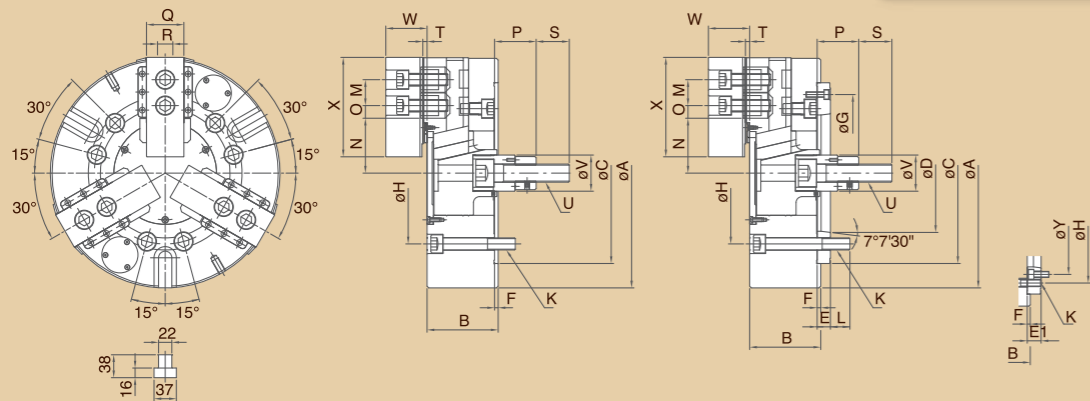
三爪中實油壓夾頭

防塵專利結構可以防止鐵屑進入本體內部。
Dustproof patent structure can prevent the metal chips get into chuck inside.

新產品
NEW



尺寸圖 >> Dimensions



規格表 >> Specifications

單位/UNIT:mm

型式/規格 MODEL / SPEC.	主軸鼻端番號 Nose Of Spindle	A	B	C (h6)	D	E	E1	F	G	H	K	L	M
CL-12DP	A ₂ -8	304	110	220	139.719	18	--	6	190	171.4	6-M16x2P	20	30
CL-15DP	A ₂ -11	381	118	300	196.869	22	--	6	260	235	6-M20x2.5P	32	43
CL-18DP	A ₂ -11	450	118	300	196.869	22	--	6	260	235	6-M20x2.5P	32	43
CL-21DP	A ₂ -15(A ₂ -11)	530	129	380	285.775	27	41	6	330.2	330.2	6-M24x3P	33	60
CL-24DP	A ₂ -15(A ₂ -11)	610	129	380	285.775	27	41	6	330.2	330.2	6-M24x3P	33	60
CL-32DP	A ₂ -15(A ₂ -11)	800	129	380	285.775	27	41	6	330.2	330.2	6-M24x3P	33	60
CL-40DP	A ₂ -15(A ₂ -11)	1000	129	380	285.775	27	41	6	330.2	330.2	6-M24x3P	33	60

型式/規格 MODEL / SPEC.	N max.	N min.	O max.	O min.	P max.	P min.	Q	R	S	T	U	V	W	X	Y
CL-12DP	60.63	55.32	48.55	20.05	163	133	50	18	36	5	M20x2.5P	50	54	129	-
CL-15DP	69.05	60.97	58.05	40.05	104	69	62	25.5	55	7	M30x3.5P	60	68	165	---
CL-18DP	99.46	91.38	58.05	40.05	92	57	62	25.5	55	7	M30x3.5P	60	68	165	--
CL-21DP	80.49	72.41	101.8	41.8	96.95	61.95	65	25	55	7	M30x3.5P	60	75.5	180	235
CL-24DP	119.49	111.41	101.8	41.8	96.95	61.95	65	25	55	7	M30x3.5P	60	75.5	180	235
CL-32DP	119.49	111.39	197.8	41.8	97	61.95	65	25	55	7	M30x3.5P	60	75.5	180	235
CL-40DP	119.49	111.39	299.8	41.8	97	62	65	25	55	7	M30x3.5P	60	75.5	180	235

型式/規格 MODEL / SPEC.	柱塞行程 Plunger Stroke (mm)	爪行程 (直徑) Jaw Stroke [Diameter] (mm)	最高迴轉速 Max.Speed r.p.m.(min ⁻¹)	最大拉力 Max. Pull Force kgf (kN)	最大靜夾持力 Max. Gripping Force kgf (kN)	最大設定 油壓壓力 Max. Hydr. Pressure kgf/cm ² (MPa)	淨重 Weight (kg)	搭配 油壓缸型號 Matching Cylinder	夾持範圍 Gripping Range
CL-12DP	30	10.5	3200	4080 (40)	15500 (152)	29 (2.8)	64.4	L1530(L1530RE)	φ18~φ304
CL-15DP	35	16	3000	8260 (81)	25290 (248)	32 (3.1)	104.1	L2035(L2035RE)	φ68~φ381
CL-18DP	35	16	2700	8260 (81)	25290 (248)	32 (3.1)	138.5	L2035(L2035RE)	φ100~φ450
CL-21DP	35	16	1900	8650 (85)	27000 (265)	33 (3.2)	204.8	L2035(L2035RE)	φ80~φ530
CL-24DP	35	16	1700	8650 (85)	27000 (265)	33 (3.2)	260	L2035(L2035RE)	φ155~φ610
CL-32DP	35	16	1100	8650 (85)	27000 (265)	33 (3.2)	455.4	L2035(L2035RE)	φ155~φ800
CL-40DP	35	16	800	8650 (85)	27000 (265)	33 (3.2)	--	L2035(L2035RE)	φ155~φ1000

VL-DP 3-JAW SOLID CHUCK WITH ANTI-CHIPS SEALED & WATER-PROOF FLANGE PLATE FOR VERTICAL LATHE

立車用中實油壓夾頭 (含連結板)

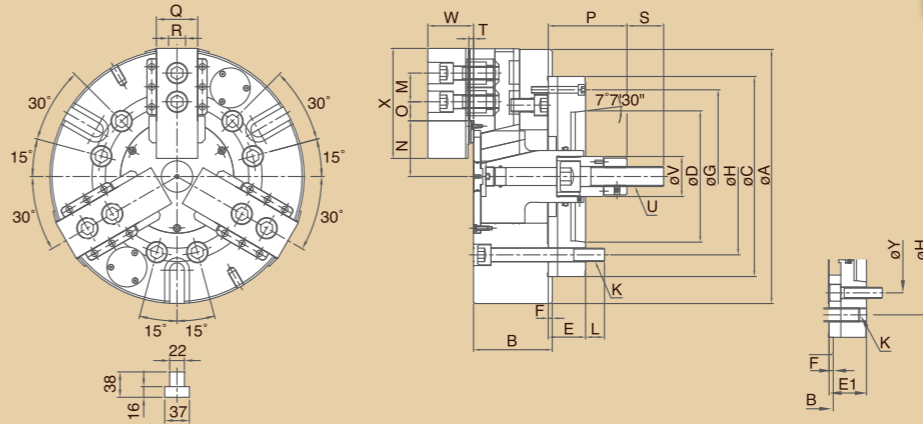
- 1.防塵專利結構可以防止鐵屑進入本體內部。
- 2.清潔孔設計可以吹氣強制帶出來頭內部殘留細屑及切屑液。
- 3.排水盤結構設計，防止切屑液進入主軸內部。

新產品
NEW

專利產品
Patent Protected



尺寸圖 >> Dimensions



規格表 >> Specifications

單位/UNIT:mm

型式/規格 MODEL / SPEC.	主軸鼻端番號 Nose Of Spindle	A	B	C (h6)	D	E	E1	F	G	H	K	L	M
VL-12DP	A ₂ -8(A ₂ -6)	304	110	220	139.719	38	38	6	190	171.4	6-M16x2P	20	30
VL-15DP	A ₂ -11(A ₂ -8)	381	118	300	196.869	54	54	6	260	235	6-M20x2.5P	30	43
VL-18DP	A ₂ -11(A ₂ -8)	450	118	300	196.869	48	48	6	260	235	6-M20x2.5P	26	43
VL-21DP	A ₂ -15(A ₂ -11)	530	129	380	285.775	55	50	6	330.2	330.2	6-M24x3P	36	60
VL-24DP	A ₂ -15(A ₂ -11)	610	129	380	285.775	55	50	6	330.2	330.2	6-M24x3P	36	60
VL-32DP	A ₂ -15(A ₂ -11)	800	129	380	285.775	55	50	6	330.2	330.2	6-M24x3P	36	60

型式/規格 MODEL / SPEC.	N max.	N min.	O max.	O min.	P max.	P min.	Q	R	S	T	U	V	W	X	Y
VL-12DP	60.63	55.32	48.55	20.05	183	153	50	18	36	5	M20x2.5P	50	54	129	133.4
VL-15DP	69.05	60.97	58.05	40.05	136	101	62	25.5	55	7	M30x3.5P	60	68	165	171.4
VL-18DP	99.46	91.38	58.05	40.05	130	96	62	25.5	55	7	M30x3.5P	60	68	165	171.4
VL-21DP	80.49	72.41	101.8	41.8	132	97	65	25	55	7	M30x3.5P	60	75.5	180	235
VL-24DP	119.49	111.41	101.8	41.8	132	97	65	25	55	7	M30x3.5P	60	75.5	180	235
VL-32DP	119.49	111.39	197.8	41.8	132	97	65	25	55	7	M30x3.5P	60	75.5	180	235

型式/規格 MODEL / SPEC.	柱塞行程 Plunger Stroke (mm)	爪行程 (直徑) Jaw Stroke [Diameter] (mm)	最高迴轉速 Max.Speed r.p.m.(min ⁻¹)	最大拉力 Max. Pull Force kgf (kN)	最大靜夾持力 Max. Gripping Force kgf (kN)	最大設定 油壓壓力 Max. Hydr. Pressure kgf/cm ² (MPa)	淨重 Weight (kg)	搭配 油壓缸型號 Matching Cylinder	夾持範圍 Gripping Range
VL-12DP	30	10.5	3200	4080 (40)	15500 (152)	29 (2.8)	64.4	L1530(L1530RE)	φ18~φ304
VL-15DP	35	16	3000	8260 (81)	25290 (248)	32 (3.1)	104.1	L2035(L2035RE)	φ68~φ381
VL-18DP	35	16	2700	8260 (81)	25290 (248)	32 (3.1)	138.5	L2035(L2035RE)	φ100~φ450
VL-21DP	35	16	1900	8650 (85)	27000 (265)	33 (3.2)	204.8	L2035(L2035RE)	φ80~φ530
VL-24DP	35	16	1700	8650 (85)	27000 (265)	33 (3.2)	260	L2035(L2035RE)	φ155~φ610
VL-32DP	35	16	1100	8650 (85)	27000 (265)	33 (3.2)	455.4	L2035(L2035RE)	φ155~φ800

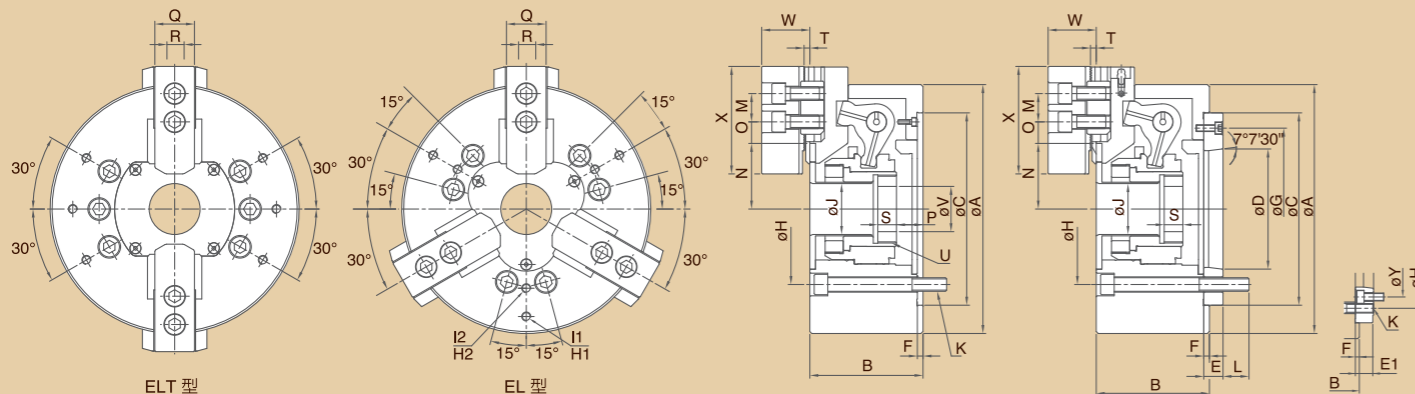
1. Dustproof patent structure can prevent the metal chips get into chuck inside.
2. The clean hole design can blow air into chuck internal to clean out the residual chips and coolant.
3. The drainage plate structure design can prevent the coolant get into spindle internal.

中空超長行程 油壓夾頭

新產品
NEW
專利產品
Patent Protected



尺寸圖 » Dimensions



規格表 » Specifications

單位/UNIT:mm

型式/規格 MODEL / SPEC.	主軸鼻端番號 Nose Of Spindle	A	B	C	D	E	E1	F	G	H	I1	H1
EL-06	A2-5	178	87	140	82.563	15	--	5	116	104.8	3-M8x1.25P	PCDø160
EL-08	A2-6(A2-5)	220	100	170	106.375	17	23	5	150	133.4	3-M8x1.25P	PCDø190
EL-10	A2-8(A2-6)	265	113	220	139.719	18	28	5	190	171.4	3-M12x1.75P	PCDø230
ELT-06	A2-5	178	87	140	82.563	15	--	5	116	104.8	6-M8x1.25P	PCDø145
ELT-08	A2-6(A2-5)	220	100	170	106.375	17	23	5	150	133.4	6-M8x1.25P	PCDø180
ELT-10	A2-8(A2-6)	265	113	220	139.719	18	28	5	190	171.4	6-M12x1.75P	PCDø230

型式/規格 MODEL / SPEC.	I2	H2	J	K	L	M	N max.	N min.	O max.	O min.	P max.
EL-06	3-M8x1.25P	PCDø120	34	6-M10x1.5P	15.85	20	50.13	38.03	19.55	10.55	15.95
EL-08	3-M8x1.25P	PCDø140	42	6-M12x1.75P	18.85	25	61	44.96	20.55	11.55	19.95
EL-10	3-M12x1.75P	PCDø180	66	6-M16x2P	21.85	30	78.16	59.37	24.55	11.05	13.45
ELT-06	--	--	34	6-M10x1.5P	15.85	20	50.13	38.03	19.55	10.55	15.95
ELT-08	--	--	42	6-M12x1.75P	18.85	25	61	44.96	20.55	11.55	19.95
ELT-10	--	--	66	6-M16x2P	21.85	30	78.16	59.37	24.55	11.55	13.45

型式/規格 MODEL / SPEC.	P min.	Q	R	S	T	U	V	W	X	Y	通孔直徑 Thru-Hole [Diameter] (mm)	柱塞行程 Plunger Stroke (mm)
EL-06	0.95	31	12	15	2	M55x2P	20	37.5	73	--	34	15
EL-08	-0.05	35	14	16.5	2	M60x2P	30	39.5	95	104.8	42	20
EL-10	-11.55	40	16	20	2	M85x2P	40	43	110	133.4	66	25
ELT-06	0.95	31	12	15	2	M55x2P	20	37.5	73	--	34	15
ELT-08	-0.05	35	14	16.5	2	M60x2P	30	39.5	95	104.8	42	20
ELT-10	-11.55	40	16	20	2	M85x2P	40	43	110	133.4	66	25

型式/規格 MODEL / SPEC.	爪行程〔直徑〕 Jaw Stroke [Diameter] (mm)	最高迴轉速 Max.Speed r.p.m.(min ⁻¹)	最大拉力 Max. Pull Force kgf (kN)	最大靜夾持力 Max. Gripping Force kgf (kN)	最大設定油壓壓力 Max. Hydr. Pressure kgf/cm ² (MPa)	搭配 油壓缸型號 Matching Cylinder	夾持範圍 Gripping Range
EL-06	24	3200	2375 (23.2)	2670 (26)	29 (2.8)	P1246	ø25~ø178
EL-08	32	2800	3612 (35.4)	3900 (38.2)	28 (2.7)	P1552	ø30~ø220
EL-10	37.5	2400	4941 (48.4)	5586 (54.7)	30 (2.9)	P1875	ø45~ø265
ELT-06	24	3200	1600 (15.7)	1790 (17.6)	19.5 (1.9)	P1246	ø25~ø178
ELT-08	32	2800	2322 (22.7)	2600 (25.5)	18 (1.8)	P1552	ø30~ø220
ELT-10	37.5	2400	3294 (32.3)	3724 (36.5)	20 (2.0)	P1875	ø45~ø265

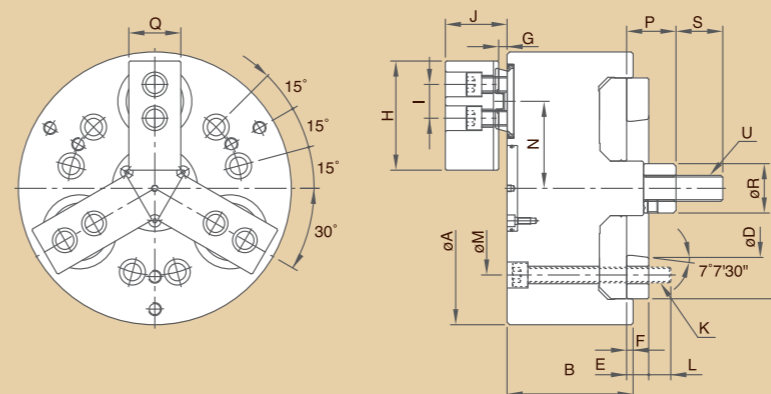
後拉式油壓夾頭

後拉式油壓夾頭作徑向夾持同時強力後拉，工件不會上浮，適用於鑄件及鍛件的加工。

1. 後拉式夾持將工件緊貼在基準面上，使夾持穩固，適於重切削。
2. 圓柱滑動結構，可長期使用，並確保重覆夾持的優異精度。
3. 準確的自定中心及強力夾持工件不上浮特性，要求長度精準的加工最適宜。
4. 可採用到位置偵測，配合自動化系統。



尺寸圖 » Dimensions



規格表 » Specifications

單位/UNIT:mm

型式/規格 MODEL / SPEC.	A	B	C	D	E	F	G max.	G min.	H	J max.	J min.
PL-06	169	83	140	82.563	15	5	15	5	70	46	36
PL-08	210	97	170	106.375	17	5	16.5	6.5	84	57	47
PL-10	254	110	220	139.719	18	5	22	6	100	68	52
PL-12	304	125	220	139.719	18	5	21.5	5.5	120	72.5	56.5

型式/規格 MODEL / SPEC.	I	K	L	M	N max.	N min.	P max.	P min.	Q	R
PL-06	--	6-M10x1.5P	14	104.8	56.65	54	33	23	35	32
PL-08	26	6-M12x1.75P	17	133.4	69.65	67	38	28	40	38
PL-10	32	6-M16x2P	24	171.4	87.8	82	48	32	50	50
PL-12	36	6-M16x2P	20	171.4	102.8	97	47	31	60	52

型式/規格 MODEL / SPEC.	S	U	柱塞行程 Plunger Stroke (mm)	爪行程直徑 Jaw Stroke (Diameter) mm	最高迴轉速 Max.Speed r.p.m.(min ⁻¹)	最大拉力 Max. Pull Force kgf (kN)
PL-06	36	M16x2P	10	5.3	3500	1420 (14)
PL-08	36	M20x2.5P	10	5.3	3000	2240 (22)
PL-10	46	M24x3P	16	11.6	2500	3160 (31)
PL-12	50	M27x3P	16	11.6	2000	4480 (44)

型式/規格 MODEL / SPEC.	最大靜夾持力 Max. Gripping Force kgf (kN)	最大設定油壓壓力 Max. Hydr. Pressure kgf/cm ² (MPa)	淨重 Weight (kg)	搭配油壓缸型號 Matching Cylinder	夾持範圍 Gripping Range
PL-06	2950 (29)	22 (2.2)	15.4	L1020	ø35~ø160
PL-08	4890 (48)	22 (2.2)	27.8	L1225	ø40~ø210
PL-10	4990 (49)	30 (2.9)	45.9	L1225	ø50~ø254
PL-12	7240 (71)	30 (2.9)	75.7	L1530	ø50~ø304

Pull back feature of radial gripping will lead to almost no work piece uplifting displacement; CHANDOX Pull Back Power Chucks are ideal for machining casting and forging parts;

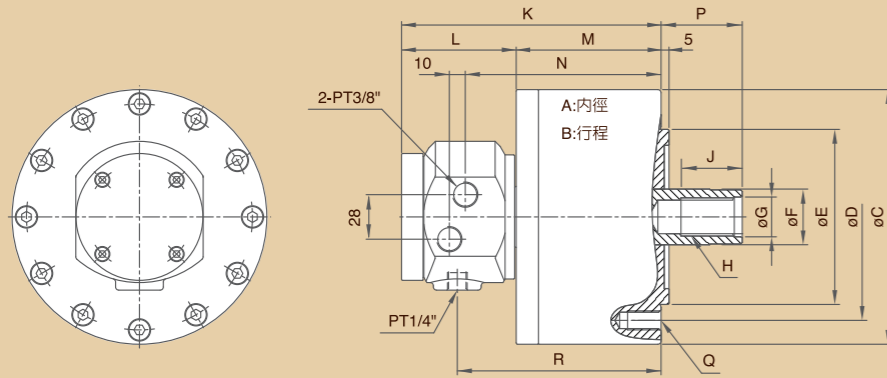
1. By appressing the gripped work piece to the surface, CHANDOX Pull Back Power Chucks are suitable for heavy machining.
2. Chuck Actuators with cylindrical structure are durable and ensures high gripping repeatability.
3. Accurate self-centering and pull back features are adequate for precise length control machining requirements.
4. Optional components can be selected for detecting the right position on an automated loading machine.

L SOLID ROTARY HYDRAULIC CYLINDERS

中實油壓迴轉缸



尺寸圖 >> Dimensions



規格表 >> Specifications

單位/UNIT:mm

型式/規格 MODEL /SPEC.	A	B	C	D	E (h7)	F	G (H8)	H	J	K	L
L0815	75	15	115	90	65	30	21	M20x2.5P	35	137	72
L1020	105	20	135	100	80	30	21	M20x2.5P	35	155	72
L1225	125	25	160	130	110	35	25	M24x3P	45	163	72
L1530	150	30	190	130	110	45	31	M30x3.5P	45	173	72
L2035	200	35	245	145	120	55	37	M36x4P	60	191.5	72

型式/規格 MODEL /SPEC.	M	N	P max.	P min.	Q	R	活塞行程 Piston Stroke (mm)	最高迴轉速 Max. Speed r.p.m (min ⁻¹)	慣性矩I Moment of Inertia (kg·m ²)
L0815	65	97	46	31	6-M8x1.25P	102	15	6000	0.006
L1020	83	115	45	25	6-M10x1.5P	120	20	5500	0.013
L1225	91	123	51	26	6-M12x1.75P	128	25	5500	0.023
L1530	101	133	56	26	12-M12x1.75P	138	30	4000	0.048
L2035	119.5	151.5	69	34	12-M16x2P	156.5	35	4000	0.098

型式/規格 MODEL /SPEC.	流量 Oil Leakage Rate (l/min)	最高使用壓力 Max. Pressure kgf/cm ² (MPa)	活塞面積 Piston Area (cm ²)		最大推(拉)力 Max. Operating Force		淨重 Weight (kg)
			推力側 Push Side	拉力側 Pull Side	推力側 kgf (kN)	拉力側 kgf (kN)	
L0815	0.8	40 (3.9)	44	37	1600 (15.7)	1400 (13.7)	4.2
L1020	0.8	40 (3.9)	86	79	3100 (30.4)	2900 (28.4)	5.9
L1225	0.8	40 (3.9)	122	113	4500 (44.1)	4100 (40.2)	8.1
L1530	0.8	40 (3.9)	176	160	6300 (61.8)	6000 (58.8)	11.9
L2035	0.8	40 (3.9)	314	290	11300 (110.8)	10400 (102.0)	21.4

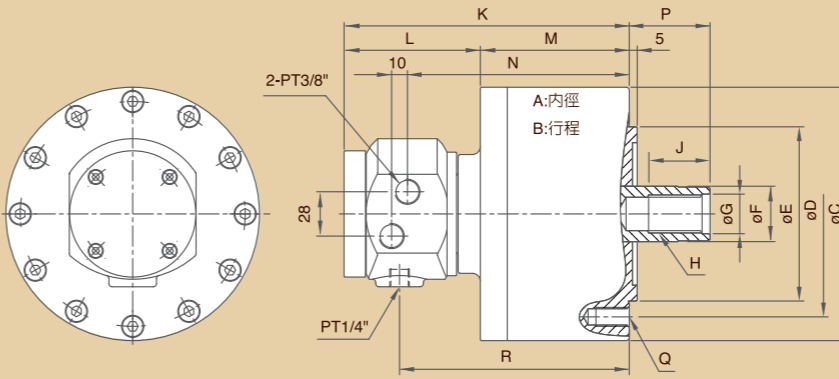
★流量測試標準-壓力:30kgf/cm²(2.94MPa) 油溫:50°C ★Test standard of oil leakage: Pressure-30 kgf/cm²(2.94MPa), Oil temperature-50°C

L-R SOLID ROTARY HYDRAULIC CYLINDERS (BUILT-IN CHECK VALVE)

中實油壓迴轉缸 (附止逆裝置)



尺寸圖 >> Dimensions



規格表 >> Specifications

單位/UNIT:mm

型式/規格 MODEL /SPEC.	A	B	C	D	E (h7)	F	G (H8)	H	J	K	L
L1020R	105	20	135	100	80	30	21	M20x2.5P	35	172	86
L1225R	125	25	160	130	110	35	25	M24x3P	45	180	86
L1530R	150	30	190	130	110	45	31	M30x3.5P	45	189	84
L2035R	200	35	245	145	120	55	37	M36x4P	60	206.5	83

型式/規格 MODEL /SPEC.	M	N	P max.	P min.	Q	R	活塞行程 Piston Stroke (mm)	最高迴轉速 Max. Speed r.p.m (min ⁻¹)	慣性矩I Moment of Inertia (kg·m ²)
L1020R	86	132	45	25	6-M10x1.5P	137	20	6000	0.013
L1225R	94	140	51	26	6-M12x1.75P	145	25	6000	0.023
L1530R	105	149	56	26	12-M12x1.75P	154	30	5500	0.048
L2035R	123.5	166.5	69	34	12-M16x2P	171.5	35	5500	0.098

型式/規格 MODEL /SPEC.	流量 Oil Leakage Rate (l/min)	最高使用壓力 Max. Pressure kgf / cm ² (MPa)	活塞面積 Piston Area (cm ²)		最大推(拉)力 Max. Operating Force		淨重 Weight (kg)
			推力側 Push Side	拉力側 Pull Side	推力側 kgf (kN)	拉力側 kgf (kN)	
L1020R	0.8	40 (3.9)	86	79	3100 (30.4)	2900 (28.4)	6.6
L1225R	0.8	40 (3.9)	122	113	4500 (44.1)	4100 (40.2)	8.8
L1530R	0.8	40 (3.9)	176	160	6300 (61.8)	6000 (58.8)	12.8
L2035R	0.8	40 (3.9)	314	290	11300 (110.8)	10400 (102.0)	22.5

★流量測試標準-壓力:30kgf/cm²(2.94MPa) 油溫:50°C ★Test standard of oil leakage: Pressure-30 kgf/cm²(2.94MPa), Oil temperature-50°C

- 1. Super thin structure:**
Super thin outer structure reduces the interference with machines and lowers the burden of machines.
- 2. Built-in Check Valve:**
With built-in "check valve", work pieces can be effectively prevented from flying out during abrupt failure of pressure.

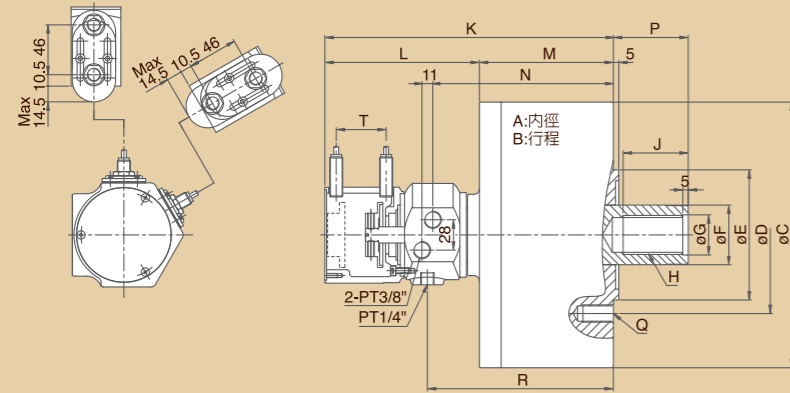
L-RE SOLID ROTARY HYDRAULIC CYLINDERS (BUILT-IN CHECK VALVE & SENSOR)

中實油壓迴轉缸 (附止逆及檢知裝置)



註：近接開關為特殊附件
Note: Proximity switch is an extra option.

尺寸圖 » Dimensions



L-RA, L-RC SOLID ROTARY HYDRAULIC CYLINDERS (BUILT-IN CHECK VALVE)

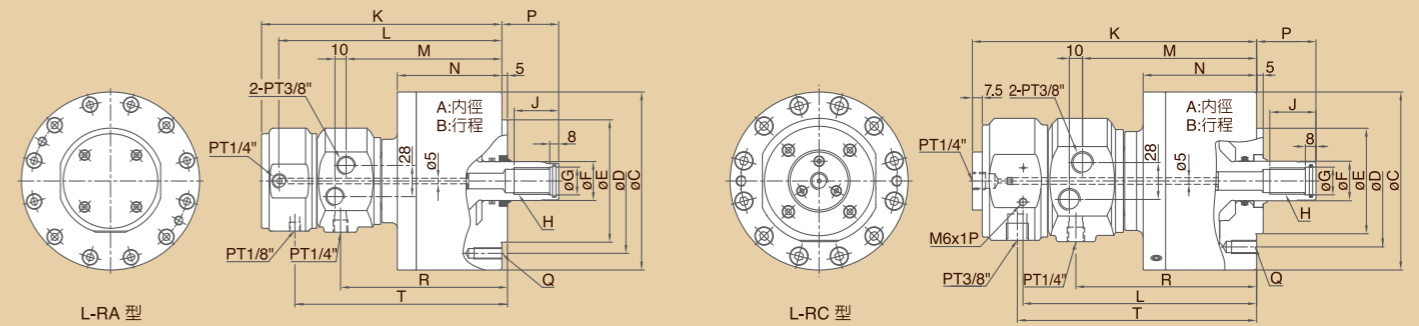
中實油壓迴轉缸(含止逆裝置)

L-RA: 注氣型 Air Connection
L-RC: 注水型 Coolant Connection

新產品
NEW



尺寸圖 » Dimensions



規格表 » Specifications

單位/UNIT:mm

型式/規格 MODEL / SPEC.	A	B	C	D	E (h7)	F	G (H8)	H
L1020RE	105	20	135	100	80	30	21	M20x2.5P
L1225RE	125	25	160	130	110	35	25	M24x3P
L1530RE	150	30	190	130	110	45	31	M30x3.5P
L2035RE	200	35	245	145	120	55	37	M36x4P

型式/規格 MODEL / SPEC.	J	K	L	M	N	P max.	P min.
L1020RE	35	231.5	145.5	86	132	45	25
L1225RE	45	239.5	145.5	94	140	51	26
L1530RE	45	248.5	143.5	105	149	56	26
L2035RE	60	266	142.5	123.5	166.5	69	34

型式/規格 MODEL / SPEC.	Q	R	T	活塞行程 Piston Stroke (mm)	最高迴轉速 Max. Speed r.p.m (min ⁻¹)	慣性矩I Moment of Inertia (kg·m ²)	流量 Oil Leakage Rate (ℓ/min)
L1020RE	6-M10x1.5P	137	46	20	6000	0.013	0.8
L1225RE	6-M12x1.75P	145	46	25	6000	0.023	0.8
L1530RE	12-M12x1.75P	154	46	30	5500	0.048	0.8
L2035RE	12-M16x2P	171.5	46	35	5500	0.098	0.8

型式/規格 MODEL / SPEC.	最高使用壓力 Max. Pressure (MPa)		活塞面積 Piston Area (cm ²)		最大推(拉)力 Max. Operating Force		淨重 Weight (kg)
	kgf/cm ²	(MPa)	推力側 Push Side	拉力側 Pull Side	推力側 Push Side (kgf)	拉力側 Pull Side (kN)	
L1020RE	40	(3.9)	84	79	3000 (29.4)	2900 (28.4)	--
L1225RE	40	(3.9)	120	113	4400 (43.1)	4100 (40.2)	9.7
L1530RE	40	(3.9)	174	160	6200 (60.8)	5700 (55.9)	13.7
L2035RE	40	(3.9)	312	290	11200 (109.8)	10400 (102.0)	23.3

★流量測試標準-壓力:30kgf/cm²(2.94MPa) 油溫:50°C ★Test standard of oil leakage: Pressure-30 kgf/cm²(2.94MPa), Oil temperature-50°C

規格表 » Specifications

單位/UNIT:mm

型式/規格 MODEL / SPEC.	A	B	C	D	E (h7)	F	G (H8)	H
L1020RA	105	20	135	100	80	30	21	M20x2.5P
L1225RA	125	25	160	130	110	35	25	M24x3P
L1530RA	150	30	190	130	110	45	32	M30x3.5P
L1020RC	105	20	135	100	80	30	21	M20x2.5P
L1225RC	125	25	160	130	110	35	25	M24x3P
L1530RC	150	30	190	130	110	45	32	M30x3.5P

型式/規格 MODEL / SPEC.	J	K	L	M	N	P max.	P min.	Q
L1020RA	35	208	193.5	132	86	45	25	6-M10x1.5P
L1225RA	45	216	201.5	140	94	51	26	6-M12x1.75P
L1530RA	45	225	210.5	149	105	56	26	12-M12x1.75P
L1020RC	35	215.5	177.1	132	86	45	25	6-M10x1.5P
L1225RC	45	223.5	185.1	140	94	51	26	6-M12x1.75P
L1530RC	45	232.5	194.1	149	105	56	26	12-M12x1.75P

型式/規格 MODEL / SPEC.	R	T	活塞行程 Piston Stroke (mm)	最高迴轉速 Max. Speed r.p.m (min ⁻¹)	慣性矩I Moment of Inertia (kg·m ²)	流量 Oil Leakage Rate (ℓ/min)	最高使用壓力 Max. Pressure (MPa)
L1020RA	137	178	20	6000	0.013	1.2	40 (3.9)
L1225RA	145	186	25	6000	0.023	1.2	40 (3.9)
L1530RA	154	195	30	5500	0.048	1.2	40 (3.9)
L1020RC	137	181.4	20	6000	0.013	1.2	40 (3.9)
L1225RC	145	189.4	25	6000	0.023	1.2	40 (3.9)
L1530RC	154	198.4	30	5500	0.048	1.2	40 (3.9)

型式/規格 MODEL / SPEC.	活塞面積 Piston Area (cm ²)		最大推(拉)力 Max. Operating Force		注氣孔最高使用壓力 Air connection Max. Pressure (MPa)		注水孔最高使用壓力 Coolant connection Max. Pressure (MPa)	
	推力側 Push Side	拉力側 Pull Side	推力側 Push Side (kgf)	拉力側 Pull Side (kN)	kgf/cm ²	(MPa)	kgf/cm ²	(MPa)
L1020RA	85	79	3100 (30.4)	3000 (29.4)	8	(0.8)	--	--
L1225RA	121	113	4400 (43.1)	4200 (41.2)	8	(0.8)	--	--
L1530RA	175	160	6300 (61.8)	6000 (58.8)	8	(0.8)	--	--
L1020RC	85	79	3100 (30.4)	3000 (29.4)	--	--	10	(1.0)
L1225RC	121	113	4400 (43.1)	4200 (41.2)	--	--	10	(1.0)
L1530RC	175	160	6300 (61.8)	6000 (58.8)	--	--	10	(1.0)

★流量測試標準-壓力:30kgf/cm²(2.94MPa) 油溫:50°C ★Test standard of oil leakage: Pressure-30 kgf/cm²(2.94MPa), Oil temperature-50°C

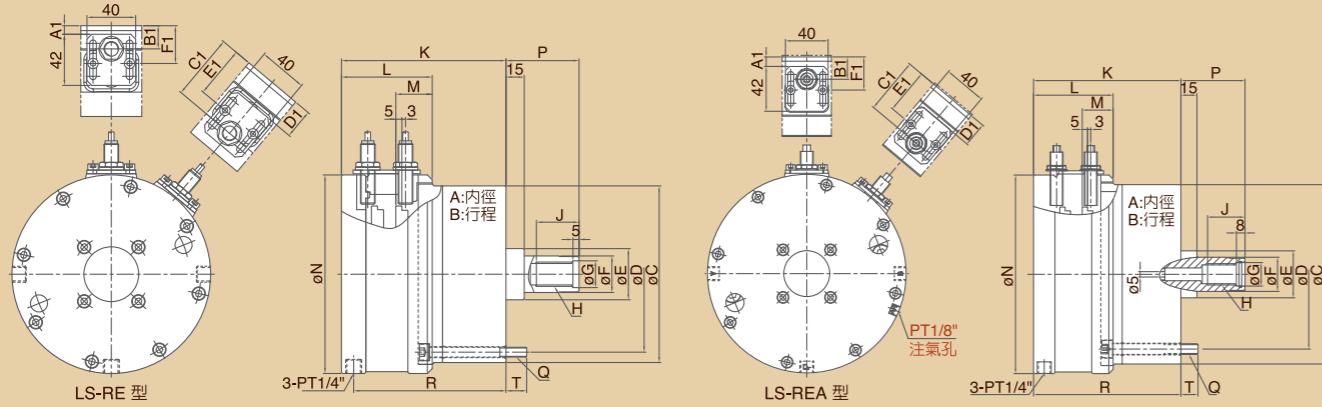
LS-RE(A) COMPACT SOLID ROTARY HYDRAULIC CYLINDER (BUILT-IN CHECK VALVE & SENSOR)

超薄型中實油壓迴轉缸 (附止逆及檢知裝置)

REA: 注氣型 Air Connection



尺寸圖 » Dimensions



規格表 » Specifications

單位/UNIT:mm

型式/規格 MODEL /SPEC.	A	B	C (h7)	D	E	F	E1	F1	G (H8)	H
LS1120RE	110	20	145	128	42	30	42.5	31	22	M20x2.5P
LS1221RE	120	21	168	145	44	32	42.5	31	22	M20x2.5P
LS1330RE	130	30	168	150	51	36	52.5	32.5	26	M24x3P
LS1120REA	110	20	145	128	42	30	42.5	31	22	M20x2.5P
LS1221REA	120	21	168	145	44	32	42.5	31	22	M20x2.5P
LS1330REA	130	30	168	150	51	36	52.5	32.5	26	M24x3P

型式/規格 MODEL /SPEC.	J	K	A1	B1	C1	D1	L	M max.	M min.	N
LS1120RE	35	135	9.9	21.9	52.9	22.9	74.5	49.9	29.9	163
LS1221RE	35	138	8.9	20.9	52.9	22.9	74.5	49.9	28.9	186
LS1330RE	35	155	10	22	63	33	84.5	60	30	186
LS1120REA	35	135	9.9	21.9	52.9	22.9	74.5	49.9	29.9	163
LS1221REA	35	138	8.9	20.9	52.9	22.9	74.5	49.9	28.9	186
LS1330REA	35	155	10	22	63	33	84.5	60	30	186

型式/規格 MODEL /SPEC.	P max.	P min.	Q	R	T	活塞行程 Piston Stroke (mm)	最高迴轉速 Max. Speed r.p.m (min ⁻¹)	慣性矩I Moment of Inertia (kg·m ²)	流量 Oil Leakage Rate (l/min)
LS1120RE	60	40	6-M8x1.25P	125	17	20	6000	0.02	1.2
LS1221RE	60	39	6-M10x1.5P	128	16	21	6000	0.03	1.2
LS1330RE	60	30	6-M10x1.5P	145	19	30	6000	0.03	1.2
LS1120REA	60	40	6-M8x1.25P	125	17	20	6000	0.02	1.2
LS1221REA	60	39	6-M10x1.5P	128	16	21	6000	0.03	1.2
LS1330REA	60	30	6-M10x1.5P	145	19	30	6000	0.03	1.2

型式/規格 MODEL /SPEC.	最高使用壓力 Max. Pressure kgf/cm ² (MPa)	活塞面積 Piston Area (cm ²)		最大推(拉)力 Max. Operating Force		淨重 Weight (kg)	注氣壓力 Air Connection Max. Press kgf/cm ² (MPa)
		推力側 Push Side	拉力側 Pull Side	推力側 Push Side kgf (kN)	拉力側 Pull Side kgf (kN)		
LS1120RE	35	(3.4)	89.6	84.8	2800 (27.5)	2700 (26.5)	8.2
LS1221RE	40	(3.9)	107.7	102	3900 (38)	3800 (37)	10.8
LS1330RE	40	(3.9)	127.4	119.4	4600 (45)	4300 (42)	11.4
LS1120REA	35	(3.4)	88.6	84.8	2800 (27.5)	2700 (26.5)	8.25
LS1221REA	40	(3.9)	106.7	102	3900 (38)	3800 (37)	10.8
LS1330REA	40	(3.9)	126.4	119.4	4600 (45)	4300 (42)	11.4

★流量測試標準-壓力:30kgf/cm²(2.94MPa) 油溫:50°C ★Test standard of oil leakage: Pressure-30 kgf/cm²(2.94MPa), Oil temperature-50°C

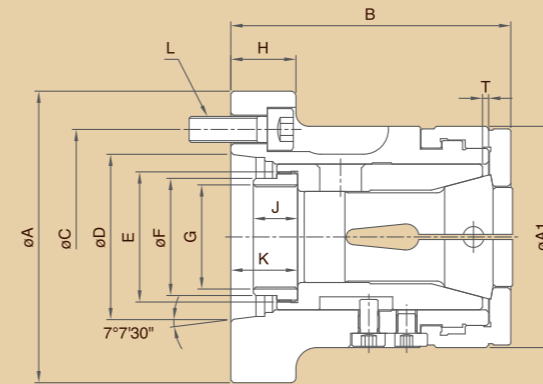
CK COLLET CHUCKS

筒夾夾頭



使用筒夾必須符合DIN 6343規範
Use collect which conform with DIN6343

尺寸圖 » Dimensions



Multibore Collet



Spring Collet

規格表 » Specifications

單位/UNIT:mm

型式/規格 MODEL /SPEC.	A	A1	B	C	D	E
CK30A4	112	85	107.5	82.6	63.513	M50x1.5P
CK42A5	135	100	127	104.8	82.563	M66x1.5P
CK42A6	165	100	127	133.4	106.375	M66x1.5P
CK52A5	135	110	127	104.8	82.563	M72x1.5P
CK52A6	165	130	150	133.4	106.375	M90x1.5P
CK60A6	165	130	150	133.4	106.375	M90x1.5P

型式/規格 MODEL /SPEC.	F	G	H	J	K max.	K min.
CK30A4	45	M40x1.5P	25	17	28	23
CK42A5	60	M55x2P	27	25	34	28
CK42A6	65.8	M60x2P	32	25	34	28
CK52A5	67	M60x2P	27	25	34	28
CK52A6	67	M60x2P	27	30	38	32
CK60A6	82	M75x2P	27	30	38	32

型式/規格 MODEL /SPEC.	L	T	套筒行程 Sleeve Stroke (mm)	淨重 Weight (kg)	最高迴轉速 Max. Speed r.p.m (min ⁻¹)	搭配油壓缸型號 Matching Cylinder
CK30A4	3-M10x1.5P	2.3	5	4.0	7000	P1036
CK42A5	4-M10x1.5P	3.2	6	6.2	6000	P1246
CK42A6	4-M12x1.75P	3.2	6	7.6	6000	P1552
CK52A5	4-M10x1.5P	3.2	6	6.7	6000	P1552
CK52A6	4-M12x1.75P	3.2	6	12.1	6000	P1552
CK60A6	4-M12x1.75P	3.2	6	11.1	5000	P1875

型式/規格 MODEL /SPEC.	搭配筒夾型號 Matching Collet Ref		夾持範圍 Gripping Range			最大推力 Max. Push Force kgf (kN)	最大靜夾持力 Max. Gripping Force kgf (kN)
	Spring Collet	Multibore Collet	圓棒 Round	六角材 Hexagonal	方材 Square		
CK30A4	163E	M-669	ø3~ø30	4~27	5~20	2040(20)	4488(44)
CK42A5	173E	M-673	ø3~ø42	6~36	6~30	2550(25)	5610(55)
CK42A6	173E	M-673	ø3~ø42	6~36	6~30	2550(25)	5610(55)
CK52A5	177E	--	ø5~ø52	8~45	7~36	2850(28)	6620(61)
CK52A6	177E	--	ø5~ø52	8~45	7~36	2850(28)	6620(61)
CK60A6	185E	M-677	ø4~ø60	8~52	7~42	3060(30)	6630(65)

分度夾頭/油壓迴轉器

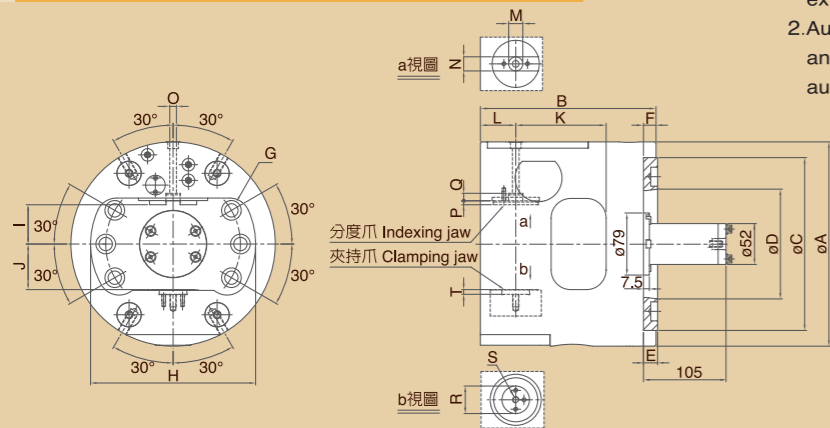
- 1.適合多軸向加工需求例如閥體、十字軸、管接頭等
- 2.自動化設計：搭配迴轉器與自動控制系統。主軸運轉時自動執行90度分度定位。
- 3.離心力補償系統：主軸高速迴轉時能自動補償並減少離心力造成的夾持力損失，使夾持更加穩定並提升工作效率。
- 4.高剛性與高精度結構：最佳化設計的高剛性結構能確保工作時的精度需求與長時間使用的穩定性。

新產品
NEW

專利產品
Patent Protected

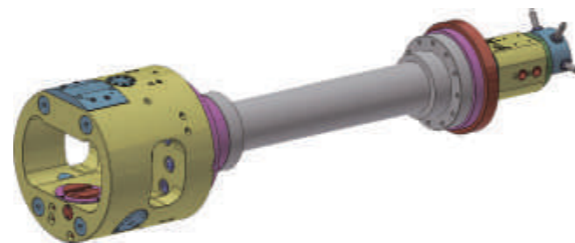


尺寸圖 > Dimensions



1. Specialize for multi-axis manufacturing requirement, ex: Valve, Cross bearing, hose joint...etc.
2. Automatic mechanism: With the special hydraulic feeder and automatic control unit, the chuck could 90 indexing automatically during the spindle turning.
3. Centrifugal force compensation: Compensation structure could reduce the clamping force lost during high speed turning and stabilize the work-clamping.
4. The optimal structure design provides the best rigidity and precision.

應用實例 > Operation Example



單位/UNIT:mm

規格表 > Specifications

型式/規格 MODEL / SPEC.	A	B	C	D	E	F	G	H	I
IC-260	260	223.5	220	139.719	18	16	6-M16x2P(PCDø171.4)	210	50
型式/規格 MODEL / SPEC.	J _{max.}	J _{min.}	K	L	M	N	O	P	Q
IC-260	58	40	115	45	18	18	8.5	5	9.55
型式/規格 MODEL / SPEC.	S	øR	T	分度角度 Index Angle	活塞面積 Piston Area (cm ²)	柱塞行程 Plunger Stroke (mm)			
IC-260	M8x1.25P	35	6	4x90°	43	18			
型式/規格 MODEL / SPEC.	最大設定油壓壓力 Max. Hydr Pressure Kgf/cm ² (MPa)	最高迴轉速 Max. Speed r.p.m (min ⁻¹)	最大靜夾持力 Max. Gripping Force kgf (kN)	搭配油壓迴轉器 Matching Hydraulic feed tube	夾持範圍 Gripping Range 最大迴轉直徑 厚度 Max. rotation dia Thickness				
IC-260	51 (4.9)	3600	2000 (19.6)	TB-IC	200 70				

後拉式油壓夾盤

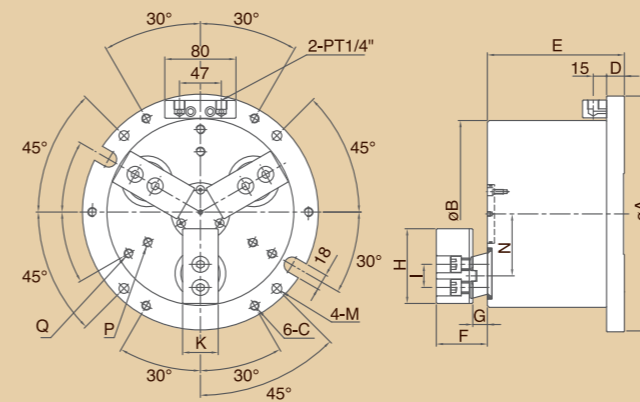
後拉式油壓夾盤在工作台面的鉗、銑加工時，夾持工件穩固不會上浮，適用重切削或鑄件及鍛件的加工。

新產品
NEW

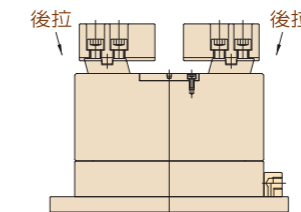
- 1.氣缸防銹處理：在潮濕及工作環境較差的情況，氣缸內部經防銹處理，不會生銹或卡死。
- 2.防塵裝置：在工作台上的鉗銑加工、切屑及冷卻液不會進入夾盤內部，確保夾盤的使用壽命及精度。
- 3.重力夾持設計：搭配油壓系統作重力夾持工件，結構設計穩固不會變形。



尺寸圖 > Dimensions



應用實例 > Operation Example



規格表 > Specifications

型式/規格 MODEL / SPEC.	A	B	C	D	E	F _{Max.}	F _{min.}	G _{Max.}	G _{min.}	H	I	K
PLVE-06	224	169	M10x1.5P(PCDø202)	17	140	45.65	35.65	14.65	4.65	70	--	35
PLVE-08	265	210	M10x1.5P(PCDø243)	17	154	57.15	47.15	16.15	6.15	84	26	40
PLVE-10	315	254	M12x1.75P(PCDø285)	20	185	67.6	51.6	21.6	5.6	100	32	50
型式/規格 MODEL / SPEC.	M	N _{Max.}	N _{min.}	P	Q	活塞面積 Piston Area (cm ²)						
PLVE-06	ø11(PCD ø202)	56.69	54.01	3-M6x1P(PCDø80)	3-M6x1P(PCDø120)	91						
PLVE-08	ø11(PCD ø243)	69.56	66.88	3-M10x1.5P(PCDø136)	3-M10x1.5P(PCDø186)	160						
PLVE-10	ø13(PCD ø285)	87.44	81.61	3-M12x1.75P(PCDø170)	3-M12x1.75P(PCDø230)	215						
型式/規格 MODEL / SPEC.	柱塞行程 Plunger Stroke (mm)	爪行程 (直徑) Jaw Stroke [Diameter] (mm)	最大靜夾持力 Max. Gripping Force kgf (kN)	最大設定油壓壓力 Max. Pressure Setting kgf/cm ² (MPa)	夾持範圍 Gripping Range							
PLVE-06	10	5.3	2950 (29)	16 (1.57)	ø35~ø160							
PLVE-08	10	5.3	4890 (48)	15 (1.47)	ø40~ø210							
PLVE-10	16	11.6	4990 (49)	16 (1.57)	ø50~ø254							

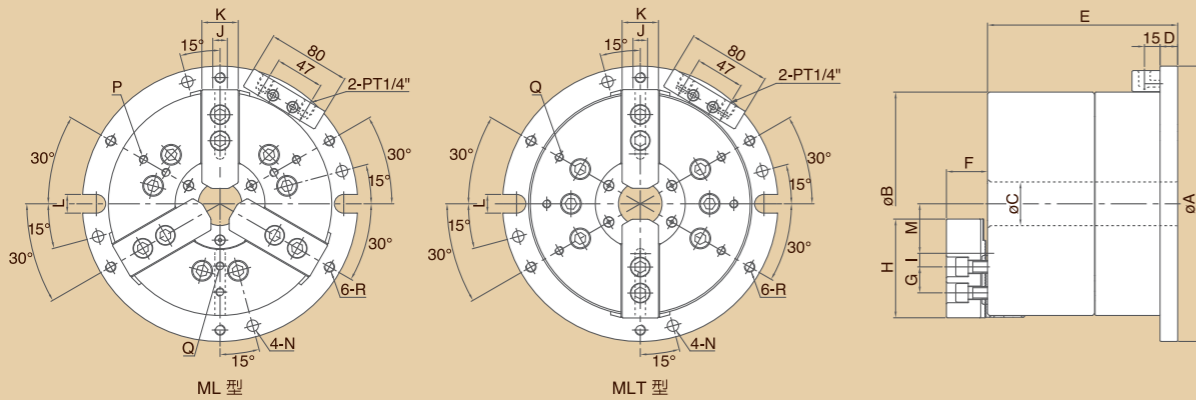
ML,MLT LONG STROKE HOLLOW POWER CHUCK FIXTURES

中空長行程 油壓夾盤

新產品
NEW



尺寸圖 > Dimensions



規格表 > Specifications

單位/UNIT:mm

型式/規格 MODEL / SPEC.	A	B	C	D	E	F	G	H
ML-06	224	173	36	17	160	37.5	20	73
ML-08	265	215	42	17	183	39.5	25	95
ML-10	315	256	61	20	211	43	30	110
MLT-06	224	173	36	17	160	37.5	20	73
MLT-08	265	215	42	17	183	39.5	25	95
MLT-10	315	256	61	20	211	43	30	110

型式/規格 MODEL / SPEC.	I max.	I min.	J	K	L	M max.	M min.
ML-06	21.05	10.55	12	31	18	39.07	33.46
ML-08	25.05	14.55	14	35	18	47.85	39.66
ML-10	29.05	12.55	16	40	18	61.34	52.06
MLT-06	21.05	10.55	12	31	18	39.07	33.46
MLT-08	25.05	14.55	14	35	18	47.85	39.66
MLT-10	29.05	12.55	16	40	18	61.34	52.06

型式/規格 MODEL / SPEC.	N	P	Q	R	通孔直徑 Thru-Hole [Diameter] (mm)
ML-06	ø11(PCDø202)	3-M8x1.25P(PCDø140)	3-M8x1.25P(PCDø90)	M10x1.5P(PCDø202)	36
ML-08	ø11(PCDø243)	3-M8x1.25P(PCDø170)	3-M8x1.25P(PCDø120)	M10x1.5P(PCDø243)	42
ML-10	ø13(PCDø285)	3-M12x1.75P(PCDø220)	3-M12x1.75P(PCDø160)	M12x1.75P(PCDø285)	61
MLT-06	ø11(PCDø202)	--	6-M10x1.5P(PCDø145)	M10x1.5P(PCDø202)	36
MLT-08	ø11(PCDø243)	--	6-M10x1.5P(PCDø180)	M10x1.5P(PCDø243)	42
MLT-10	ø13(PCDø285)	--	6-M12x1.75P(PCDø225)	M12x1.75P(PCDø285)	61

型式/規格 MODEL / SPEC.	活塞面積 Piston Area (cm ²)	柱塞行程 Plunger Stroke (mm)	爪行程〔直徑〕 Jaw Stroke [Diameter] (mm)	最大靜夾持力 Max. Gripping Force kgf (kN)	最大設定油壓壓力 Max. Hydr. Pressure kgf/cm ² (MPa)	夾持範圍 Gripping Range
ML-06	85	15	10.8	4080 (40)	29 (2.9)	ø20~ø173
ML-08	154	22	16	5910 (58)	24 (2.4)	ø25~ø215
ML-10	199	25	18	7540 (74)	23 (2.3)	ø40~ø256
MLT-06	85	15	10.8	2650 (26)	19 (1.9)	ø20~ø173
MLT-08	154	22	16	3870 (38)	16 (1.6)	ø25~ø215
MLT-10	199	25	18	4990 (49)	16 (1.6)	ø40~ø256

MEL,MELT CRANK TYPE LONG JAW STROKE HOLLOW POWER CHUCK FIXTURES

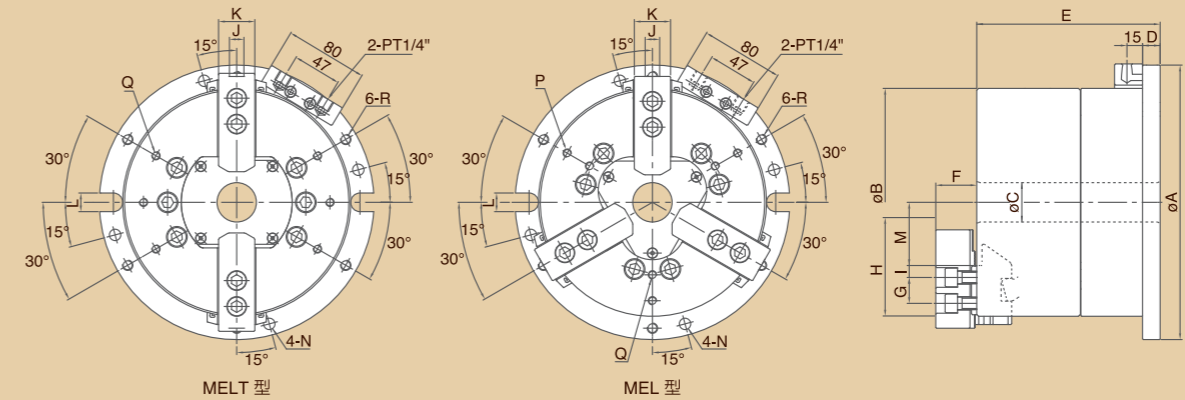
中空超長行程 油壓夾盤

新產品
NEW

專利產品
Patent Protected



尺寸圖 > Dimensions



規格表 > Specifications

單位/UNIT:mm

型式/規格 MODEL / SPEC.	A	B	C	D	E	F	G	H
MEL-06	224	178	28	17	157	37.6	20	73
MEL-08	265	220	38	17	177	39.5	25	95
MEL-10	315	265	61	20	212	43.1	30	110
MELT-06	224	178	28	17	157	37.6	20	73
MELT-08	265	220	38	17	177	39.5	25	95
MELT-10	315	265	61	20	212	43.1	30	110

型式/規格 MODEL / SPEC.	I max.	I min.	J	K	L	M max.	M min.
MEL-06	19.55	10.55	12	31	18	50.13	38.03
MEL-08	20.55	11.55	14	35	18	61.0	44.96
MEL-10	24.55	11.05	16	40	18	78.16	59.37
MELT-06	19.55	10.55	12	31	18	50.13	38.03
MELT-08	20.55	11.55	14	35	18	61.0	44.96
MELT-10	24.55	11.05	16	40	18	78.16	59.37

型式/規格 MODEL / SPEC.	N	P	Q	R	通孔直徑 Thru-Hole [Diameter] (mm)
MEL-06	ø11(PCDø202)	3-M8x1.25P(PCDø160)	3-M8x1.25P(PCDø120)	M10x1.5P(PCDø202)	28
MEL-08	ø11(PCDø243)	3-M8x1.25P(PCDø190)	3-M8x1.25P(PCDø140)	M10x1.5P(PCDø243)	38
MEL-10	ø13(PCDø285)	3-M12x1.75P(PCDø230)	3-M12x1.75P(PCDø180)	M12x1.75P(PCDø285)	61
MELT-06	ø11(PCDø202)	--	6-M8x1.25P(PCDø145)	M10x1.5P(PCDø202)	28
MELT-08	ø11(PCDø243)	--	6-M10x1.5P(PCDø180)	M10x1.5P(PCDø243)	38
MELT-10	ø13(PCDø285)	--	6-M12x1.75P(PCDø230)	M12x1.75P(PCDø285)	61

型式/規格 MODEL / SPEC.	活塞面積 Piston Area (cm ²)	柱塞行程 Plunger Stroke (mm)	爪行程〔直徑〕 Jaw Stroke [Diameter] (mm)	最大靜夾持力 Max. Gripping Force kgf (kN)	最大設定油壓壓力 Max. Hydr. Pressure kgf/cm ² (MPa)	夾持範圍 Gripping Range
MEL-06	85	15	24	2670 (26)	30 (3.0)	ø25~ø178
MEL-08	154	20	32	3900 (38.2)	24 (2.4)	ø30~ø220
MEL-10	199	25	37.5	5586 (54.7)	26.5 (2.6)	ø45~ø265
MELT-06	85	15	24	1790 (17.6)	20 (2.0)	ø25~ø178
MELT-08	154	20	32	2600 (25.5)	16 (1.6)	ø30~ø220
MELT-10	199	25	37.5	3724 (36.5)	18 (1.8)	ø45~ø265

內藏式中空油壓夾盤

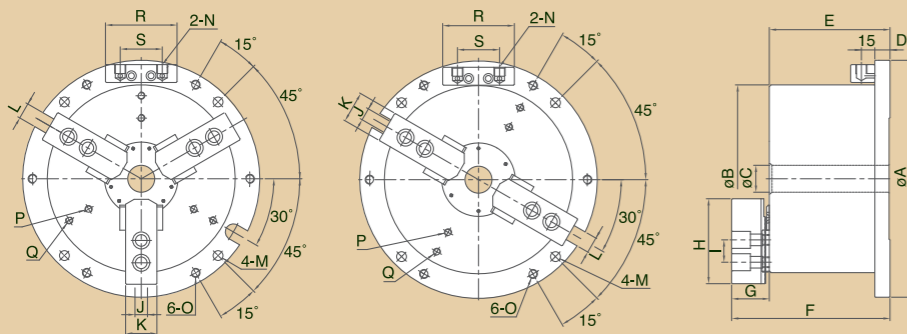
內藏式中空油壓夾盤適用於工作桌面的鑽、銑加工而設計。

- 氣缸防銹處理：**在潮溼及工作環境較差的情況，氣缸內部經防銹處理，不會生銹或卡死。
- 防塵裝置：**在工作台上的銑銑工作、切屑及冷卻液不易進入夾盤內部，確保夾盤的使用壽命及精度。
- 內藏式油缸特性：**把油缸直接裝置於夾頭內部，更能確保連結的穩定性、提升夾持力，適用於重切削及夾持精度的保持，倍增機械效益。



With built-in type cylinder, it is ideal for machining application on working table.

尺寸圖 » Dimensions



- Rust-proof for Pneumatic Cylinder:**
Inside wall of cylinder being rustproof treated; cylinder can work under wet or high moisture circumstances without rusty or seized trouble.
- Dusts-proof and Waterproof:**
Dust-proof and Waterproof structure prevents work-chips and coolant water from entering into inside of chuck cylinder to maintain its accuracy and lead to longer service life.
- Benefit of Built-in Cylinder:**
The cylinder is connected to chuck itself directly for obtaining better stability, less space, and higher machining efficiency.

規格表 » Specifications

單位/UNIT:mm

型式/規格 MODEL / SPEC.	A	B	C	D	E	F	G	H	I	J	K	L	M
MO-04	157	115	--	15	77.5	104	26	49.5	14	10	23	13	ø9(PCD ø135)
MO-05	185	135	--	15	95	128	33	62	14	10	25	13	ø9(PCD ø165)
MO-06	224	169	25	16	118	158	40	73	20	12	31	18	ø11(PCD ø202)
MO-08	265	210	30	20	138	180	42	95	25	14	35	18	ø11(PCD ø243)
MO-10	315	254	52	23	150	196	46	110	30	16	40	18	ø13(PCD ø285)
MO-12	375	304	80	23	165	219	54	129	30	21	50	18	ø17(PCD ø340)
MOT-04	157	115	--	15	77.5	104	26	49.5	14	10	23	13	ø9(PCD ø135)
MOT-05	185	135	--	15	95	128	33	62	14	10	25	13	ø9(PCD ø165)
MOT-06	224	169	25	16	118	158	40	73	20	12	31	18	ø11(PCD ø202)
MOT-08	265	210	30	20	138	180	42	95	25	14	35	18	ø11(PCD ø243)
MOT-10	315	254	52	23	150	196	46	110	30	16	40	18	ø13(PCD ø285)

型式/規格 MODEL / SPEC.	N	O	P	R	S	Q	活塞面積 Piston Area (cm ²)
MO-04	PT1/8	M8x1.25P	3-M8x1.25P(PCDø90)	64	47	--	57
MO-05	PT1/4	M8x1.25P	3-M8x1.25P(PCDø100)	80	47	--	74
MO-06	PT1/4	M10x1.5P	3-M8x1.25P(PCDø134)	80	47	--	97
MO-08	PT1/4	M10x1.5P	3-M10x1.5P(PCDø136)	80	47	3-M10x1.5P(PCDø186)	156
MO-10	PT1/4	M12x1.75P	3-M12x1.75P(PCDø170)	80	47	3-M12x1.75P(PCDø230)	235
MO-12	PT3/8	M16x2P	3-M12x1.75P(PCDø200)	80	55	3-M12x1.75P(PCDø260)	292
MOT-04	PT1/8	M8x1.25P	2-M8x1.25P(PCDø90)	64	47	--	57
MOT-05	PT1/4	M8x1.25P	2-M8x1.25P(PCDø100)	80	47	--	74
MOT-06	PT1/4	M10x1.5P	2-M8x1.25P(PCDø134)	80	47	--	97
MOT-08	PT1/4	M10x1.5P	2-M10x1.5P(PCDø136)	80	47	2-M10x1.5P(PCDø186)	156
MOT-10	PT1/4	M12x1.75P	2-M12x1.75P(PCDø170)	80	47	2-M12x1.75P(PCDø230)	235

型式/規格 MODEL / SPEC.	柱塞行程 Plunger Stroke (mm)	爪行程(直徑) Jaw Stroke (Diameter) (mm)	最大靜夾持力 Max. Gripping Force (kgf)	最大設定油壓壓力 Max. Hydr. Pressure (MPa)	淨重 Weight (kg)	夾持範圍 Gripping Range
MO-04	9	3.8	2400 (23.5)	15 (1.5)	7.05	ø9~ø115
MO-05	10	5.4	3285 (32.2)	20 (2.0)	11.2	ø12~ø135
MO-06	12	5.5	5040 (49.4)	20 (2.0)	21.0	ø15~ø169
MO-08	16	7.4	8100 (79.4)	20 (2.0)	36.8	ø20~ø210
MO-10	19	8.8	12210 (119.7)	20 (2.0)	56.4	ø33~ø254
MO-12	23	10.6	14500 (142.1)	20 (2.0)	88.5	ø40~ø304
MOT-04	9	3.8	1900 (18.6)	12 (1.2)	6.9	ø9~ø115
MOT-05	10	5.4	2620 (25.6)	16 (1.6)	11.2	ø12~ø135
MOT-06	12	5.5	4030 (39.5)	16 (1.6)	21.0	ø15~ø169
MOT-08	16	7.4	6480 (63.5)	16 (1.6)	36.8	ø20~ø210
MOT-10	19	8.8	9760 (95.6)	16 (1.6)	56.4	ø33~ø254

大孔徑內藏式油壓夾盤

內藏式中空油壓夾盤適用於工作桌面的鑽、銑加工而設計。

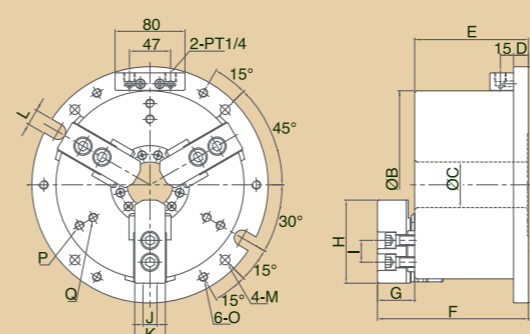
新產品
NEW



- 氣缸防銹處理：**在潮溼及工作環境較差的情況，氣缸內部經防銹處理，不會生銹或卡死。
- 防塵裝置：**在工作台上的銑銑工作、切屑及冷卻液不易進入夾盤內部，確保夾盤的使用壽命及精度。
- 內藏式油缸特性：**把油缸直接裝置於夾頭內部，更能確保連結的穩定性、提升夾持力，適用於重切削及夾持精度的保持，倍增機械效益。

With built-in type cylinder, it is ideal for machining application on working table.

尺寸圖 » Dimensions



- Rust-proof for Pneumatic Cylinder:**
Inside wall of cylinder being rustproof treated; cylinder can work under wet or high moisture circumstances without rusty or seized trouble.
- Dusts-proof and Waterproof:**
Dust-proof and Waterproof structure prevents work-chips and coolant water from entering into inside of chuck cylinder to maintain its accuracy and lead to longer service life.
- Benefit of Built-in Cylinder:**
The cylinder is connected to chuck itself directly for obtaining better stability, less space, and higher machining efficiency.

規格表 » Specifications

單位/UNIT:mm

型式/規格 MODEL / SPEC.	A	B	C	D	E	F	G	H	I	J
MB-06	228	173	45	16	118	158	40	73	20	12
MB-08	270	215	52	17	130	172.5	42	95	25	14
MB-10	315	256	75	19	146	190.5	46	110	30	16

型式/規格 MODEL / SPEC.	K	L	M	O	P	Q	活塞面積 Piston Area (cm ²)
MB-06	31	18	4-ø11(PCDø202)	M10x1.5P	3-M8x1.25P(PCDø134)	--	97
MB-08	35	18	4-ø11(PCDø243)	M10x1.5P	3-M10x1.5P(PCDø150)	3-M10x1.5P(PCDø186)	156
MB-10	40	18	4-ø13(PCDø285)	M12x1.75P	3-M12x1.75P(PCDø182)	3-M12x1.75P(PCDø232)	226

型式/規格 MODEL / SPEC.	柱塞行程 Plunger Stroke (mm)	爪行程(直徑) Jaw Stroke (Diameter)(mm)	最大靜夾持力 Max. Gripping Force (kgf)	最大設定油壓壓力 Max. Hydr. Pressure (MPa)	夾持範圍 Gripping Range	淨重 Weight (kg)
MB-06	12	5.5	5040 (49.4)	20 (2.0)	ø20~ø173	21.7
MB-08	16	7.4	8100 (79.4)	20 (2.0)	ø25~ø215	35.5
MB-10	19	8.8	12330 (120.9)	21 (2.1)	ø37~ø256	54

MD, MD-M 3-JAW AIR CHUCKS FIXTURE(SINGLE PISTON)

內藏式前鎖型 三爪氣壓夾盤 (單活塞)

新產品
NEW
專利產品
Patent Protected

內藏式前鎖型氣壓夾盤特點:

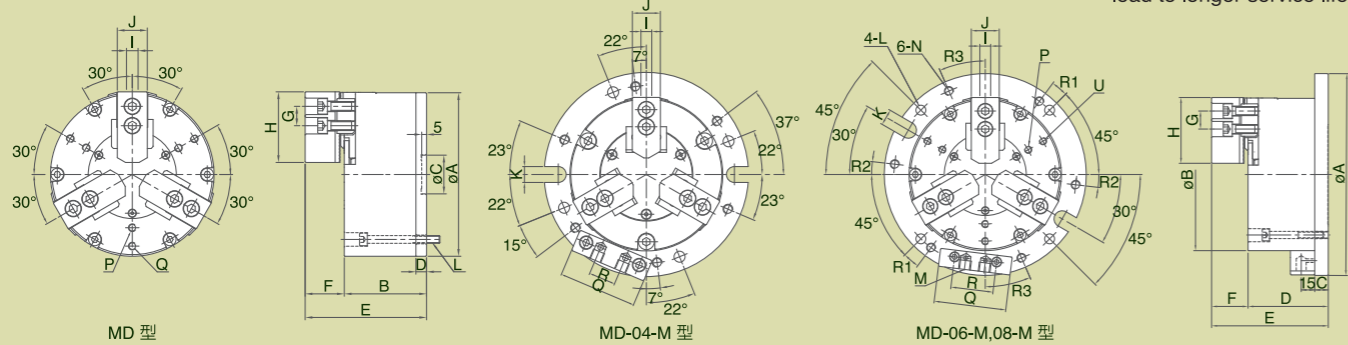
- 1.前鎖型設計, 安裝便利、節省空間。
- 2.可搭配治具板, 安排模組化並列, 配合量產需求。
- 3.汽缸防銹處理, 更符合加工環境需求。
- 4.完整防塵設計, 提升夾盤使用壽命及精度。



Air Chuck Fixture Special Features:

- 1.Front-lock design, easy installation & save a space.
- 2.Available on multi-plate for mass production.
- 3.Rust-proof for pneumatic cylinder.
- 4.Dusts-proof & water-proof design to maintain its accuracy and lead to longer service life.

尺寸圖 » Dimensions



MFR, MFR-M 3-JAW AIR CHUCKS FIXTURE(DOUBLE PISTON)

內藏式前鎖型 三爪氣壓夾盤 (雙活塞)

新產品
NEW
專利產品
Patent Protected

內藏式前鎖型氣壓夾盤特點:

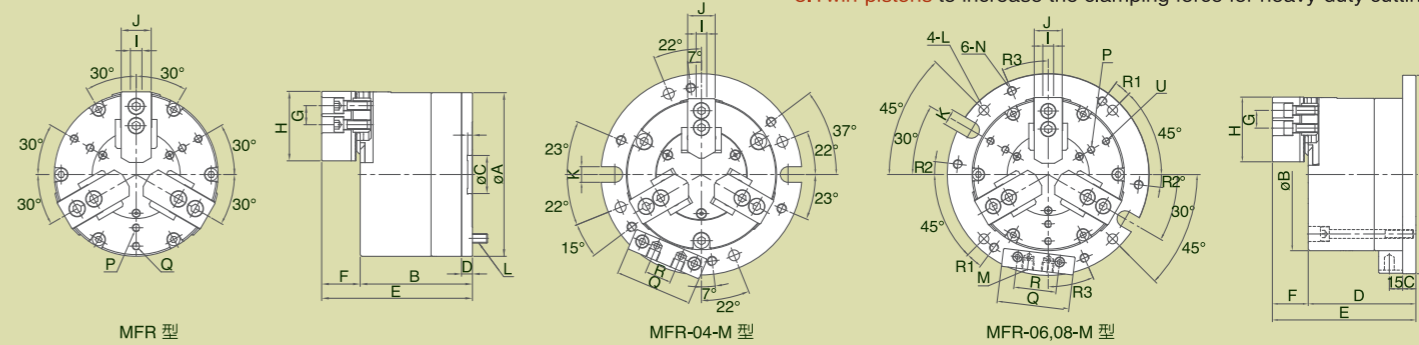
- 1.前鎖型設計, 安裝便利、節省空間。
- 2.可搭配治具板, 安排模組化並列, 配合量產需求。
- 3.汽缸防銹處理, 更符合加工環境需求。
- 4.完整防塵設計, 提升夾盤使用壽命及精度。
- 5.雙活塞結構大幅提升夾持力, 適合重切銑加工。



Air Chuck Fixture Special Features:

- 1.Front-lock design, easy installation & save a space.
- 2.Available on multi-plate for mass production.
- 3.Rust-proof for pneumatic cylinder.
- 4.Dusts-proof & water-proof design to maintain its accuracy and lead to longer service life.
- 5.Twin-pistons to increase the clamping force for heavy-duty cutting.

尺寸圖 » Dimensions



模組化治具氣壓夾盤 » FIXTURE CHUCKS MODLE

詳細資訊請洽營業部



氣壓切換閥
(一對二)
Pneumatic switching valve (1 to 2)

氣壓切換閥 (一對一)
Pneumatic switching valve(1 to 1)

模組化並列
Modular parallel

模組化治具氣壓夾盤 » FIXTURE CHUCKS MODLE

詳細資訊請洽營業部



氣壓切換閥
(一對二)
Pneumatic switching valve (1 to 2)

氣壓切換閥 (一對一)
Pneumatic switching valve(1 to 1)

模組化並列
Modular parallel

規格表 » Specifications

單位/UNIT:mm

型式/規格 MODEL / SPEC.	A	B	C	D	E	F	G	H	I	J	K	R	R1	R2	R3
MD-04	125	78.5	40	11.5	105.2	26.7	14	49.5	10	23	--	--	--	--	--
MD-06	172	90	40	11.5	130.4	40.4	20	73	12	31	--	--	--	--	--
MD-08	210	108.5	40	14	150.9	42.4	25	95	14	35	--	--	--	--	--
MD-04-M	167	125	15	82	108.7	26.7	14	49.5	10	23	13	47	--	--	--
MD-06-M	224	172	15	93.5	133.9	40.4	20	73	12	31	18	47	8.5°	6.5°	23.5°
MD-08-M	265	210	20	114.5	156.9	42.4	25	95	14	35	18	47	9.5°	5.5°	24.5°
型式/規格 MODEL / SPEC.	L			M			N			P			Q		
MD-04	3-M8x1.25P(PCDø110)			--			--			--			--		
MD-06	6-M10x1.5P(PCDø155)			--			--			3-M8x1.25P(PCDø110)			3-M8x1.25P(PCDø148)		
MD-08	6-M12x1.75P(PCDø185)			--			--			3-M10x1.5P(PCDø136)			3-M10x1.5P(PCDø186)		
MD-04-M	ø9(PCDø145)			2-PT1/8"			M8x1.25P(PCDø145)			--			64		
MD-06-M	ø11(PCDø202)			2-PT1/4"			M10x1.5P(PCDø202)			3-M8x1.25P(PCDø110)			80		
MD-08-M	ø11(PCDø243)			2-PT1/4"			M10x1.5P(PCDø243)			3-M10x1.5P(PCDø136)			80		
型式/規格 MODEL / SPEC.	U	活塞面積 Piston Area (cm ²)		柱塞行程 Plunger Stroke (mm)	爪行程(直徑) Jaw Stroke(Diameter) (mm)	夾持範圍 Gripping Range	空壓夾持力 Gripping Force At Air Pressure 7 kgf/cm ² (0.7MPa) kgf (kN)								
MD-04	--	67		10	3.5	ø16~ø125	1800 (17.6)								
MD-06	--	136		12	4.2	ø24~ø172	3700 (36.2)								
MD-08	--	191		18	6.3	ø25~ø210	5150 (50.5)								
MD-04-M	--	67		10	3.5	ø16~ø125	1800 (17.4)								
MD-06-M	3-M8x1.25P(PCDø148)	136		12	4.2	ø24~ø172	3700 (36.2)								
MD-08-M	3-M10x1.5P(PCDø186)	191		18	6.3	ø25~ø210	5150 (50.5)								

規格表 » Specifications

單位/UNIT:mm

型式/規格 MODEL / SPEC.	A	B	C	D	E	F	G	H	I	J	K	R	R1	R2	R3
MFR-04	125	105	40	11.5	131.7	26.7	14	49.5	10	23	--	--	--	--	--
MFR-06	172	118	40	11.5	158.4	40.4	20	73	12	31	--	--	--	--	--
MFR-08	210	145	40	14	187.4	42.4	25	95	14	35	--	--	--	--	--
MFR-04-M	167	125	15	108.5	135.2	26.7	14	49.5	10	23	13	47	--	--	--
MFR-06-M	224	172	15	121.5	161.9	40.4	20	73	12	31	18	47	8.5°	6.5°	23.5°
MFR-08-M	265	210	20	151	193.4	42.4	25	95	14	35	18	47	9.5°	5.5°	24.5°
型式/規格 MODEL / SPEC.	L			M			N			P			Q		
MFR-04	3-M8x1.25P(PCDø110)			--			--			--			--		
MFR-06	6-M10x1.5P(PCDø155)			--			--			3-M8x1.25P(PCDø110)			3-M8x1.25P(PCDø148)		
MFR-08	6-M12x1.5P(PCDø185)			--			--			3-M10x1.5P(PCDø136)			3-M10x1.5P(PCDø186)		
MFR-04-M	ø9(PCDø145)			2-PT1/8"			M8x1.25P(PCDø145)			--			64		
MFR-06-M	ø11(PCDø202)			2-PT1/4"			M10x1.5P(PCDø202)			3-M8x1.25P(PCDø110)			80		
MFR-08-M	ø11(PCDø243)			2-PT1/4"			M10x1.5P(PCDø243)			3-M10x1.5P(PCDø136)			80		
型式/規格 MODEL / SPEC.	U	活塞面積 Piston Area (cm ²)		柱塞行程 Plunger Stroke (mm)	爪行程(直徑) Jaw Stroke(Diameter) (mm)	夾持範圍 Gripping Range	空壓夾持力 Gripping Force At Air Pressure 7 kgf/cm ² (0.7MPa) kgf (kN)								
MFR-04	--	133		9	3.8	ø16~ø125	2980 (29.2)								
MFR-06	--	270		10	5.3	ø24~ø172	5280 (51.7)								
MFR-08	--	380		16	7.4	ø25~ø210	7800 (76.4)								
MFR-04-M	--	133		9	3.8	ø16~ø125	2980 (29.2)								
MFR-06-M	3-M8x1.25P(PCDø148)	270		10	5.3	ø24~ø172	5280 (51.7)								
MFR-08-M	3-M10x1.5P(PCDø186)	380		16	7.4	ø25~ø210	7800 (76.4)								

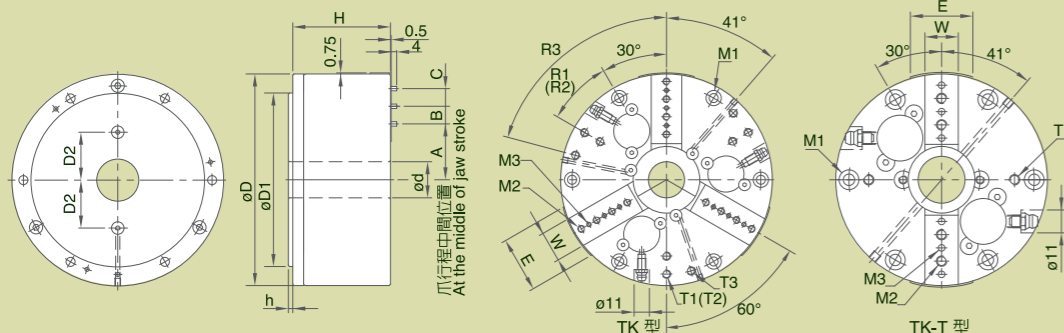
超精密氣壓夾頭

1. 預設治具孔及預留自動潤滑管道：爪殼預設治具孔，有額外固定需要時不須再追加加工；且預留自動潤滑管道，可與自動潤滑裝置連結。
2. 內藏式汽缸：汽缸與夾盤直結設計，確保作動及夾持的穩定性。
3. 生爪精密定位：設有定位銷使生爪在重複拆裝時仍保持良好的定位精度。
4. 超高精度夾持提高工作效率：夾持工件的同軸度及重覆夾持精度可達 μ 級，簡化操作，實現高效率的精密加工。



1. Pre-machined tapped holes and lubrication path: There are tapped holes for fixing jigs, thus, additional screw machining is not necessary, and pre-machined lubrication path can connect to auto-lubrication unit to lubricate the chuck automatically.
2. Built-in Cylinder: Connect cylinder directly to the chuck for stable gripping.
3. Precise soft jaw positioning: It's easy to remount soft jaw to the correct position with dowel pins on it.
4. High gripping precision brings better quality and efficiency: Good coaxiality and repeatability of gripping are able to achieve the accuracy of " μ degree" machining processes can be simplified or shortened to make high precision machining with high efficiency come true.

尺寸圖 » Dimensions



本產品精密度可達 μ 級

This product reaches the repeatability of " μ degree"

應用範例 » Operation Example



單位/UNIT:mm

規格表 » Specifications

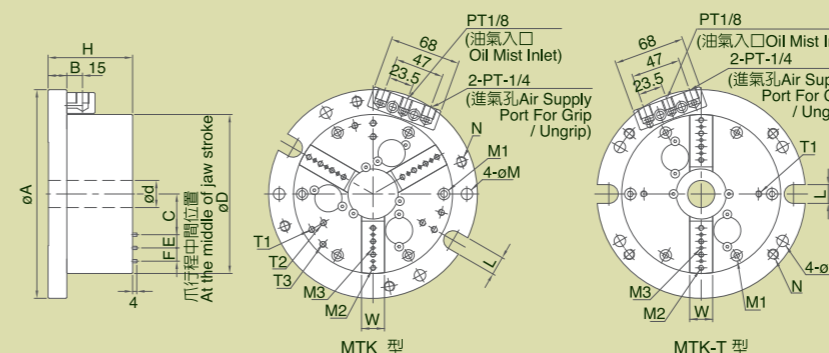
型式/規格 MODEL / SPEC.	A	B	C	D	E	D1	d (H7)	D2	H	h	W	M1
TK-04	20.75	12.7	12.7	101.6	30	82.55	18	25	70.3	3.2	16	6-M5x0.8P(PCD ϕ 88.9)
TK-06	39.75	12.7	12.7	152.4	40	124.97	26	34.5	70.3	3.2	22	6-M6x1P(PCD ϕ 135.89)
TK-08	65.75	25.4	--	203.2	45	167.64	50	50	99.5	7.0	25	6-M10x1.5P(PCD ϕ 182.88)
TK-04T	20.75	12.7	12.7	101.6	30	82.55	18	25	70.3	3.2	16	6-M5x0.8P(PCD ϕ 88.9)
TK-06T	39.75	12.7	12.7	152.4	40	124.97	26	34.5	70.3	3.2	22	6-M6x1P(PCD ϕ 135.89)
TK-08T	65.75	25.4	--	203.2	45	167.64	50	50	99.5	7.0	25	6-M10x1.5P(PCD ϕ 182.88)
型式/規格 MODEL / SPEC.	M2		M3		T1		T2		T3		R1	
TK-04	6-M5x0.8P		9- ϕ 3.18		3-M5x0.8P(PCD ϕ 88.9)		--		--		30°	
TK-06	12-M5x0.8P		9- ϕ 3.18		3-M6x1P(PCD ϕ 135.89)		3-M6x1P(PCD ϕ 110)		3-M6x1P(PCD ϕ 135.89)		30°	
TK-08	6-M10x1.5P		6- ϕ 6.36		3-M8x1.25P(PCD ϕ 182.88)		3-M8x1.25P(PCD ϕ 150)		3-M8x1.25P(PCD ϕ 100)		30°	
TK-04T	4-M5x0.8P		6- ϕ 3.18		2-M5x0.8P(PCD ϕ 70)		--		--		--	
TK-06T	8-M5x0.8P		6- ϕ 3.18		2-M6x1P(PCD ϕ 110)		--		--		--	
TK-08T	4-M10x1.5P		4- ϕ 6.36		2-M8x1.25P(PCD ϕ 150)		--		--		--	
型式/規格 MODEL / SPEC.	R2	R3	爪行程 (直徑) Jaw Stroke [Diameter] (mm)		空壓夾持力 Gripping Force At Air Pressure 7kgf/cm ² (0.7MPa) kgf (kN)		最高迴轉速 Max. Speed r.p.m. (min ⁻¹)	淨重 Weight (kg)				
TK-04	--	--	3		800 (7.8)		4500	4.4				
TK-06	30°	75°	3		1200 (11.7)		4200	9.8				
TK-08	30°	30°	3		1800 (17.6)		2500	26.3				
TK-04T	--	--	3		800 (7.8)		3500	4.2				
TK-06T	--	--	3		1200 (11.7)		3500	9.5				
TK-08T	--	--	3		1800 (17.6)		2000	25.1				

內藏式超精密氣壓夾盤

1. 預設治具孔及預留自動潤滑管道：爪殼預設治具孔，有額外固定需要時不須再追加加工；且預留自動潤滑管道，可與自動潤滑裝置連結。
2. 內藏式汽缸：汽缸與夾盤直結設計，確保作動及夾持的穩定性。
3. 生爪精密定位：設有定位銷使生爪在重複拆裝時仍保持良好的定位精度。
4. 超高精度夾持提高工作效率：夾持工件的同軸度及重覆夾持精度可達 μ 級，簡化操作，實現高效率的精密加工。



尺寸圖 » Dimensions



本產品精密度可達 μ 級

This product reaches the repeatability of " μ degree"

應用範例 » Operation Example

氣壓切換閥連接方式 / 特殊附件
Examples of Attaching Pneumatic Manual Switch / Optional Accessories



單位/UNIT:mm

規格表 » Specifications

型式/規格 MODEL / SPEC.	A	B	C	D	d (H7)	E	F	H	W	L
MTK-04	148	17	20.75	101.6	18	12.7	12.7	80	16	13
MTK-06	200	18	39.75	152.4	26	12.7	12.7	81	22	18
MTK-04T	148	17	20.75	101.6	18	12.7	12.7	80	16	13
MTK-06T	200	18	39.75	152.4	26	12.7	12.7	81	22	18
型式/規格 MODEL / SPEC.	M		M1		M2	M3	N	T1		
MTK-04	ϕ 9(PCD ϕ 130)		6-M5x0.8P(PCD ϕ 88.9)		6-M5x0.8P	9- ϕ 3.18	3-M8x1.25P	3-M5x0.8P(PCD ϕ 88.9)		
MTK-06	ϕ 11(PCD ϕ 180)		6-M6x1P(PCD ϕ 135.89)		12-M5x0.8P	9- ϕ 3.18	4-M10x1.5P	3-M6x1P(PCD ϕ 135.89)		
MTK-04T	ϕ 9(PCD ϕ 130)		6-M5x0.8P(PCD ϕ 88.9)		4-M5x0.8P	6- ϕ 3.18	3-M8x1.25P	2-M5x0.8P(PCD ϕ 70)		
MTK-06T	ϕ 11(PCD ϕ 180)		6-M6x1P(PCD ϕ 135.89)		8-M5x0.8P	6- ϕ 3.18	4-M10x1.5P	2-M6x1P(PCD ϕ 110)		
型式/規格 MODEL / SPEC.	T2		T3		爪行程 (直徑) Jaw Stroke (Diameter) (mm)	空壓夾持力 Gripping Force At Air Pressure 7 kgf/cm ² (0.7MPa) kgf (kN)		淨重 Weight (kg)		
MTK-04	--		--		3	800 (7.8)		6.2		
MTK-06	3-M6x1P(PCD ϕ 110)		3-M6x1P(PCD ϕ 135.89)		3	1200 (11.7)		13		
MTK-04T	--		--		3	800 (7.8)		6		
MTK-06T	--		--		3	1200 (11.7)		12.6		

迴轉氣壓夾盤

間歇性運轉

輕切削加工適用
迴轉式氣壓夾盤適用於分度盤，具可隨分度盤主軸旋轉功能，動力夾持加工物作角度分割或旋轉切削。

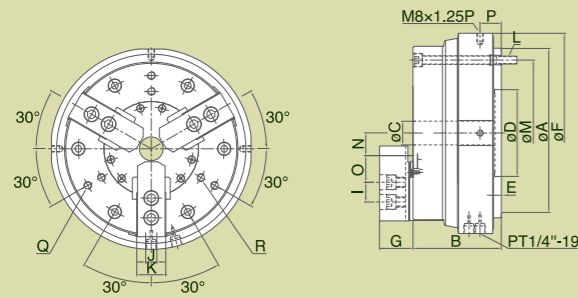
- 1.提供NC分度盤間歇性迴轉的配套使用，轉速需在限制範圍內。
- 2.氣缸防銹處理：在潮溼及工作環境較差的情況，氣缸內部經防銹處理，不會生銹或卡死。
- 3.前置式氣缸：氣缸與夾盤直結設計，確保夾持的穩定性，更方便於組裝及操作。



Suitable for light cutting
It's Ideal for dividing or cutting work pieces by mounting the chuck on indexing table or rotary table. The distinctive feature is that chuck rotates with the spindle of indexing table or rotary table.

- 1.The chuck is designed for intermittently rotate in limited rotary speed with rotary table.
- 2.Rustproof treated cylinder:
The cylinder won't get rusty and seized even in wet or high moisture working environment.
- 3.Integral pneumatic cylinder:
Connect chuck and built-in cylinder to each other directly; thus enables operation stability. Moreover, it is more convenient for installation and operation since the use of draw tube and draw bar are no longer necessary.

尺寸圖 » Dimensions



規格表 » Specifications

單位/UNIT:mm

型式/規格 MODEL /SPEC.	A	B	C	D	E	F	G	H	I	J	K
RT-05	140	85	16	60	6	182	33.6	62	14	10	25
RT-06	170	93	20	80	7	215	40.4	73	20	12	31
RT-08	215	112	30	110	8	255	42.4	95	25	14	35

型式/規格 MODEL /SPEC.	L	M	N max.	N min.	O max.	O min.	P	Q	R	通孔直徑 Thru-Hole (Diameter) (mm)
RT-05	6-M8x1.25P	PCD ϕ 118	26.93	24.62	20.05	6.55	26	--	3-M8x1.25P(PCD ϕ 92)	16
RT-06	6-M8x1.25P	PCD ϕ 147	36.46	33.69	21.55	15.55	26	--	3-M10x1.5P(PCD ϕ 130)	20
RT-08	6-M10x1.5P	PCD ϕ 185	44.92	41.52	29.55	17.55	27	3-M10x1.5P(PCD ϕ 186)	3-M10x1.5P(PCD ϕ 146)	30

型式/規格 MODEL /SPEC.	活塞面積 Piston Area (cm ²)	柱塞行程 Plunger Stroke (mm)	爪行程(直徑) Jaw Stroke (Diameter) (mm)	最高轉速 Max.Speed r.p.m.(min ⁻¹)	最大設定壓力 Max. Pressure kgf/cm ² (MPa)	氣壓夾持力 Gripping Force At Air Pressure 7kgf/cm ² (0.7MPa) kgf (kN)	夾持範圍 Gripping Range
RT-05	74	10	4.6	51	7 (0.7)	1340 (13.1)	ϕ 4- ϕ 140
RT-06	120	13	5.5	41	7 (0.7)	2330 (22.8)	ϕ 25- ϕ 170
RT-08	190	16	6.8	33	7 (0.7)	3730 (36.5)	ϕ 33- ϕ 215

迴轉氣壓夾盤

低扭矩 含止逆閥 可連續運轉

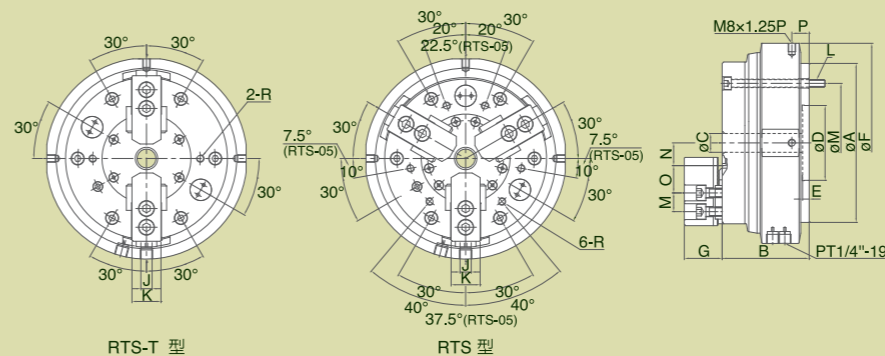
新產品
NEW
專利產品
Patent Protected

- 1.提高轉速：較高的轉速能夠對應更廣範圍的應用。
- 2.內藏式止逆裝置：內藏式止逆閥設計，夾持狀態下不需持續供氣也能保持夾持力，並且大幅降低工作扭矩減少負載。
- 3.防塵排水專利結構可以防止工作中鐵屑及切屑液進入夾頭內部，維持夾頭正常運作。
- 4.前置式氣缸設計：氣缸與夾盤直結設計，確保夾持的穩定性，更方便於組裝及操作。
- 5.氣缸防銹處理：在潮溼及工作環境較差的情況，氣缸內部經防銹處理，不會生銹或卡死。



- 1.Higher Rotation Speed: Higher rotation speed to fit with more kind of working.
- 2.Built in Check Valve:
Design with built in Check Valve.It's doesn't need to supply the air continuously and remain low working torque also reduce the air consumption.
- 3.Dustproof and drainage patent structure can prevent the metal chips and coolant get into chuck inside while processing, and maintain.
- 4.Integral pneumatic cylinder: Connect chuck and built-in cylinder to each other directly; thus enables operation stability. Moreover, it is more convenient for installation and operation since the use of draw tube and draw bar are no longer necessary.
- 5.Rustproof treated cylinder: The cylinder won't get rusty and seized even wet or high moisture working environment.

尺寸圖 » Dimensions



規格表 » Specifications

單位/UNIT:mm

型式/規格 MODEL /SPEC.	A	B	C	D	E	F	G	H	I	J	K
RTS-05	140	85	16	60	6	182	33.6	62	14	10	25
RTS-06	170	93	20	80	7	215	40.4	73	20	12	31
RTS-08	215	112	30	110	8	255	42.4	95	25	14	35
RTS-10	255	120	43	140	8	300	46.4	110	30	16	40
RTS-05T	140	85	16	60	6	182	33.6	62	14	10	25
RTS-06T	170	93	20	80	7	215	40.4	73	20	12	31

型式/規格 MODEL /SPEC.	L	M	N max.	N min.	O max.	O min.	P	R	通孔直徑 Thru-Hole (Diameter) (mm)	活塞面積 Piston Area (cm ²)
RTS-05	6-M8x1.25P	PCD ϕ 118	26.93	24.62	20.05	6.55	18.5	6-M6x1P(PCD ϕ 92)	16	74
RTS-06	6-M8x1.25P	PCD ϕ 147	36.46	33.69	21.55	15.55	18.5	6-M8x1.25P(PCD ϕ 120)	20	120
RTS-08	6-M10x1.5P	PCD ϕ 185	44.92	41.52	29.55	17.55	19.5	6-M10x1.5P(PCD ϕ 155)	30	190
RTS-10	6-M10x1.5P	PCD ϕ 220	53.63	49.59	36.55	17.05	21.5	6-M12x1.75P(PCD ϕ 190)	43	280
RTS-05T	6-M8x1.25P	PCD ϕ 118	26.93	24.62	20.05	6.55	18.5	2-M6x1P(PCD ϕ 92)	16	74
RTS-06T	6-M8x1.25P	PCD ϕ 147	36.46	33.69	21.55	15.55	18.5	2-M8x1.25P(PCD ϕ 115)	20	120

型式/規格 MODEL /SPEC.	柱塞行程 Plunger Stroke (mm)	爪行程(直徑) Jaw Stroke (Diameter) (mm)	最高轉速 Max.Speed r.p.m.(min ⁻¹)	壓力範圍 Pressure Setting Range kgf/cm ² (MPa)	氣壓夾持力 Gripping Force At Air Pressure 7kgf/cm ² (0.7MPa) kgf (kN)	夾持範圍 Gripping Range	淨重 Weight (kg)
RTS-05	10	4.6	450	2-7 (0.2-0.7)	1340 (13.1)	ϕ 4- ϕ 136	10
RTS-06	13	5.5	350	2-7 (0.2-0.7)	2330 (22.8)	ϕ 25- ϕ 166	16.8
RTS-08	16	6.8	300	2-7 (0.2-0.7)	3730 (36.5)	ϕ 33- ϕ 215	30.6
RTS-10	19	8.0	250	2-7 (0.2-0.7)	5480 (53.7)	ϕ 43- ϕ 255	45.1
RTS-05T	10	4.6	450	2-7 (0.2-0.7)	1340 (13.1)	ϕ 4- ϕ 136	9.7
RTS-06T	13	5.5	350	2-7 (0.2-0.7)	2330 (22.8)	ϕ 25- ϕ 166	16.3

MA 2 ACTUATING AXES SELF-CENTERING SOLID AIR CHUCK FIXTURES

兩軸自動求心氣壓夾盤

兩軸自動求心氣壓夾盤專供中心機及各式工作台面的加工而設計，在X,Y兩軸間同時夾持任何異形工件具快速自定工件中心之功能。具3大特色：

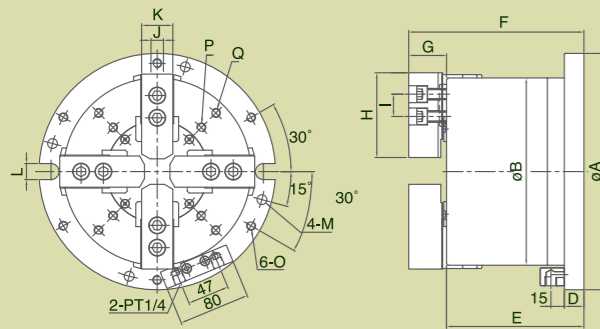
- 1.氣缸防銹處理：**在潮溼及工作環境較差的情況，氣缸內部經防銹處理，不會生銹或卡死。
- 2.防塵裝置：**在工作台上的銼銑工作、切屑及冷卻液不易進入夾盤內部，確保夾盤的使用壽命及精度。
- 3.多邊夾持、自定中心：**有別於虎鉗的單一軸向夾持，兩軸自動求心氣壓夾盤分別在X,Y兩軸向分割成兩組夾持動作，且同時自定工件中心，能快速準確的固定工件，在任一軸向銼削均能達到穩固的效果。



2 actuating axes self-centering solid air chuck fixtures is great for machining center. Two pairs of jaws clamp one after another to assure a workpiece to be locked completely.

- 1.Rust-proof for Pneumatic Cylinder:**
Inside wall of cylinder being rustproof treated; cylinder can work under wet or high moisture circumstances without rusty or seized trouble.
- 2.Dusts-proof and Waterproof:**
Dust-proof and Waterproof structure prevents work-chips and coolant water from entering into inside of chuck cylinder to maintain its accuracy and lead to longer service life.
- 3.4-jaw Clamping and Self-centering:**
4-jaw clamping are steadier for machining. Two pairs of jaws are moved independently to assure complete lock and self-centering.

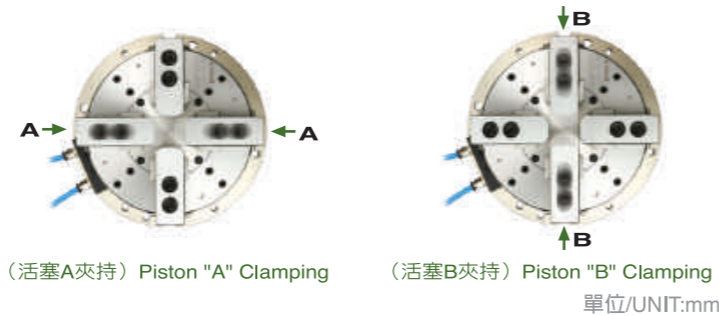
尺寸圖 » Dimensions



應用實例 » Operation Example

快速、準確、自動化
Speed, Accurate, Automatic

兩段分割夾持，自定中心
4-jaws clamping and self-center



(活塞A夾持) Piston "A" Clamping (活塞B夾持) Piston "B" Clamping
單位/UNIT:mm

規格表 » Specifications

型式/規格 MODEL /SPEC.	A	B	D	E	F	G	H	I	J	K	L	M
MA-06	224	175	20	130	170	40	73	20	12	31	18	ø11(PCDø202)
MA-08	265	210	22	154	196	42	95	25	14	35	18	ø11(PCDø243)
MA-10	315	250	25	176	222	46	110	30	16	40	18	ø13(PCDø285)

型式/規格 MODEL /SPEC.	O	P	Q	A 活塞面積 Piston Area (cm ²) 推力側 Push Side	拉力側 Pull Side
MA-06	M10x1.5P(PCD ø202)	4-M8x1.25P(PCD ø124)	4-M8x1.25P(PCD ø156)	127	108
MA-08	M10x1.5P(PCD ø243)	4-M10x1.5P(PCD ø140)	4-M10x1.5P(PCD ø186)	184	157
MA-10	M12x1.75P(PCD ø285)	4-M10x1.5P(PCD ø176)	4-M10x1.5P(PCD ø224)	270	239

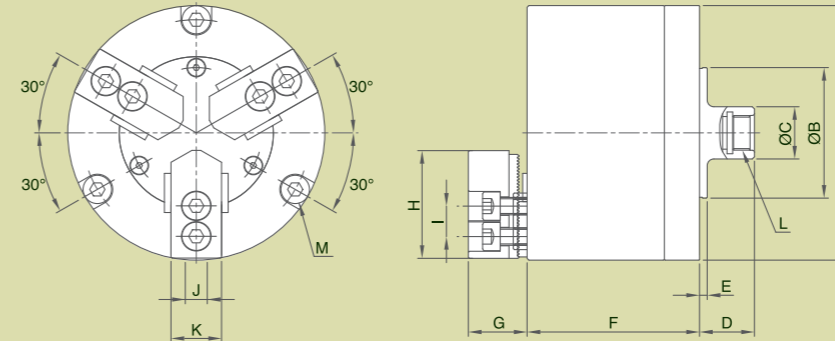
型式/規格 MODEL /SPEC.	B 活塞面積 Piston Area (cm ²) 推力側 Push Side	拉力側 Pull Side	柱塞行程 Plunger Stroke (mm)	爪行程 (直徑) Jaw Stroke (Diameter) (mm)	空壓夾持力 Gripping Force At Air Pressure 7kgf/cm ² (0.7MPa) (kgf)	(kN)	淨重 Weight (kg)	夾持範圍 Gripping Range
MA-06	122	117	12	5.5	4500	(44)	24.8	ø25~ø175
MA-08	176	169	16	7.4	6400	(63)	41.3	ø30~ø210
MA-10	254	241	19	8.8	9500	(93)	65.6	ø35~ø250

MR 3-JAW AIR CHUCKS

三爪氣壓夾頭



尺寸圖 » Dimensions



分度盤使用範例 » Operation Example for rotary table



CNC車床使用範例 » Operation Example for CNC Lathe



規格表 » Specifications

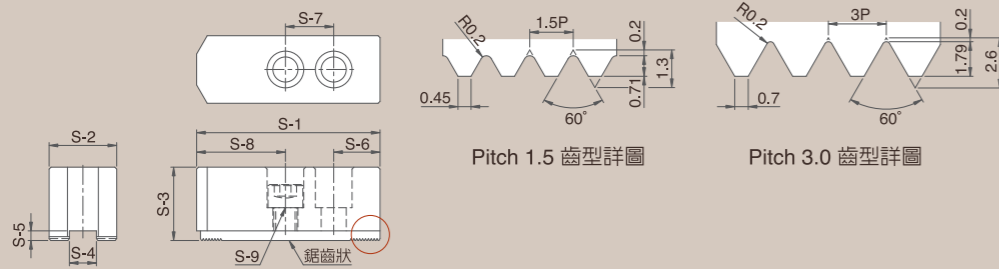
型式/規格 MODEL /SPEC.	A	B	C	D	E	F	G	H	I	J	L	K	M
MR-04	117	60	24	25	3.5	84.5	26.7	49.5	14	10	5/8"-32UNF	23	3-M8x1.25P(PCDø104)

型式/規格 MODEL /SPEC.	活塞面積 Piston Area (cm ²)	柱塞行程 Plunger Stroke (mm)	爪行程直徑 Jaw Stroke (Diameter) mm	空壓夾持力 Gripping Force At Air Pressure 7 kgf/cm ² (0.7MPa) kgf	最高迴轉速 Max.Speed r.p.m (min ⁻¹)	夾持範圍 Gripping Range
MR-04	57	9	3.8	1100	(10.8)	ø10~ø117

SJ SOFT JAWS (SJ-SERIES) FOR HYDRAULIC CHUCKS

油壓生爪

尺寸圖 » Dimensions



規格表 » Specifications

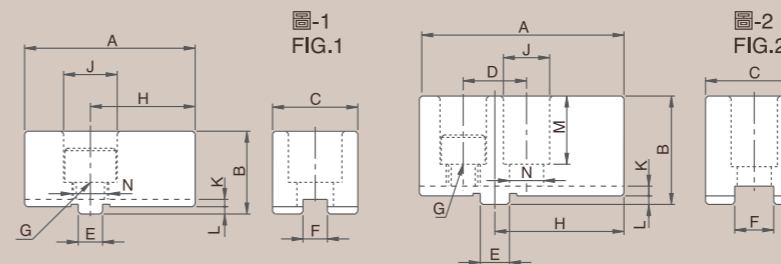
型式/規格 MODEL / SPEC.	S-1	S-2	S-3	S-4	S-5	S-6	S-7	S-8	S-9	鋸齒狀節距 Serration Pitch	淨重 Weight (kg)
SJ-04	49.5	23	23	10	4.5	10	14	25.5	M8x1.25P	1.5 x 60°	0.42
SJ-05	62	25	30	10	4.5	10	14	38	M8x1.25P	1.5 x 60°	0.85
SJ-06	73	31	36	12	5	15	20	38	M10x1.5P	1.5 x 60°	1.5
SJ-08	95	35	38	14	5	24	25	46	M12x1.75P	1.5 x 60°	2.4
SJ-10	110	40	42	16	5	30	30	50	M12x1.75P	1.5 x 60°	3.6
SJ-12	129	50	50	21(18)	6	39	30	60	M16x2P (M14x2P)	1.5 x 60°	6.1
SJ-15	165	62	62	22(25.5)	8(5)	37	43	85	M20x2.5P	1.5 x 60°	12.5
SJ-18	165	62	62	22(25.5)	8(5)	37	43	85	M20x2.5P	1.5 x 60°	12.5
SJ-21	180	65	70	25	9	40	60	80	M20x2.5P	3.0 x 60°	16.2
SJ-24	180	65	70	25	9	40	60	80	M20x2.5P	3.0 x 60°	16.2
SJ-32	180	65	70	25	9	40	60	80	M20x2.5P	3.0 x 60°	16.2
SJ-40	180	65	70	25	9	40	60	80	M20x2.5P	3.0 x 60°	16.2

單位/UNIT:mm

S SOFT JAWS FOR PULL BACK POWER CHUCKS

後拉式夾頭專用生爪

尺寸圖 » Dimensions



規格表 » Specifications

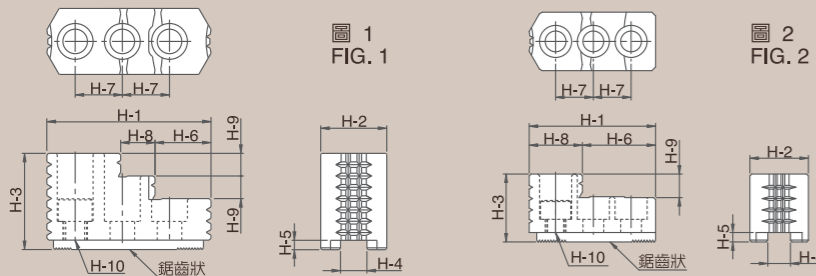
型式/規格 MODEL / SPEC.	A	B	C	D	E	F	G	H	J	K	L	M	N	參考圖 Reference Drawing
S-06	70	34	35	--	10	10	M14x2P	43	23	3.0	3.0	21	15.5	圖-1 fig.1
S-08	84	44.5	40	26	12	16	M12x1.75P	53	20	3.5	3.5	29	13.5	圖-2 fig.2
S-10	100	49.5	50	32	15	18	M14x2P	62	23	3.5	3.5	32	15.5	圖-2 fig.2
S-12	120	54.5	60	36	17	20	M16x2P	78	26	3.5	3.5	36	17.5	圖-2 fig.2

單位/UNIT:mm

HJ HARD JAWS (HJ-SERIES) FOR HYDRAULIC CHUCKS

油壓硬爪

尺寸圖 » Dimensions



規格表 » Specifications

型式/規格 MODEL / SPEC.	H-1	H-2	H-3	H-4	H-5	H-6	H-7	H-8	H-9	H-10	鋸齒狀節距 Serration Pitch	淨重 Weight (kg)	參考圖 Reference Drawing
HJ-04	53	23	28	10	4	29	14	24	10	M8x1.25P	1.5 x 60°	0.4	圖-2 Fig.2
HJ-05	53	23	28	10	4	29	14	24	10	M8x1.25P	1.5 x 60°	0.4	圖-2 Fig.2
HJ-06	67	31	36	12	5	39	20	28	12	M10x1.5P	1.5 x 60°	0.95	圖-2 Fig.2
HJ-08	87	35	51	14	5	29.5	25	18	12	M12x1.75P	1.5 x 60°	1.9	圖-1 Fig.1
HJ-10	101	40	54	16	5	45.5	30	18	13	M12x1.75P	1.5 x 60°	2.8	圖-1 Fig.1
HJ-12	108	50	67	21(18)	4(5)	49	30	20	16	M16x2P(M14x2P)	1.5 x 60°	3.5	圖-1 Fig.1
HJ-15	143	62	86	22(25.5)	8(5)	55	43	38	20	M20x2.5P	1.5 x 60°	9.5	圖-1 Fig.1
HJ-18	143	62	86	22(25.5)	8(5)	55	43	38	20	M20x2.5P	1.5 x 60°	9.5	圖-1 Fig.1
HJ-21	159.5	80	90	25	9	97.5	50	62	40	M20x2.5P	3 x 60°	15.3	圖-2 Fig.2
HJ-24	159.5	80	90	25	9	97.5	50	62	40	M20x2.5P	3 x 60°	15.3	圖-2 Fig.2
HJ-32	159.5	80	90	25	9	97.5	50	62	40	M20x2.5P	3 x 60°	15.3	圖-2 Fig.2
HJ-40	159.5	80	90	25	9	97.5	50	62	40	M20x2.5P	3 x 60°	15.3	圖-2 Fig.2

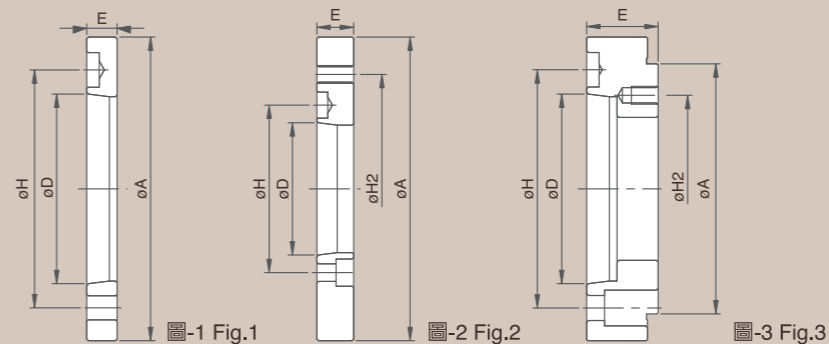
單位/UNIT:mm

MOUNTING PLATES

連結盤

- ◆ 各種鼻端規格，干島連結盤均能選配使用。
- ◆ "Chadox" mounting plates are available to any kinds of spindle noses.

尺寸圖 » Dimensions



規格表 » Specifications

型式/規格 MODEL / SPEC.	鼻端番號 Nose of Spindle D	A	H	H2	E	參考圖 Reference Drawing
T005A ₂ 4	A ₂ 4	110	82.6	--	20	圖-1 fig.1
T006A ₂ 5	A ₂ 5	140	104.8	--	15	圖-1 fig.1
T008A ₂ 6	A ₂ 6	170	133.4	--	17	圖-1 fig.1
T010A ₂ 8	A ₂ 8	220	171.4	--	18	圖-1 fig.1
T012A ₂ 8	A ₂ 8	220	171.4	--	18	圖-1 fig.1
T015A ₂ 11	A ₂ 11	300	235	--	22	圖-1 fig.1
T018A ₂ 11	A ₂ 11	300	235	--	22	圖-1 fig.1
T021A ₂ 15	A ₂ 15	380	330.2	--	27	圖-1 fig.1
T024A ₂ 20	A ₂ 20	520	463.6	--	27	圖-1 fig.1
T032A ₂ 15	A ₂ 15	380	330.2	--	27	圖-1 fig.1
T040A ₂ 15	A ₂ 15	380	330.2	--	27	圖-1 fig.1

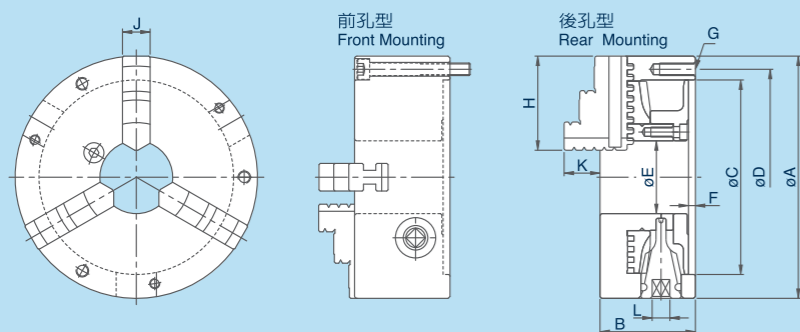
單位/UNIT:mm

型式/規格 MODEL / SPEC.	鼻端番號 Nose of Spindle D	A	H	H2	E	參考圖 Reference Drawing
T004A ₂ 4	A ₂ 4	85	82.6	70.6	40	圖-3 fig.3
T005A ₂ 5	A ₂ 5	110	104.8	82.6	45	圖-3 fig.3
T006A ₂ 4	A ₂ 4	140	82.6	104.8	20	圖-2 fig.2
T006A ₂ 6	A ₂ 6	140	133.4	104.8	40	圖-3 fig.3
T008A ₂ 5	A ₂ 5	170	104.8	133.4	23	圖-2 fig.2
T008A ₂ 8	A ₂ 8	170	171.4	133.4	45	圖-3 fig.3
T010A ₂ 6	A ₂ 6	220	133.4	171.4	28	圖-2 fig.2
T012A ₂ 6	A ₂ 6	220	133.4	171.4	28	圖-2 fig.2
T012A ₂ 11	A ₂ 11	220	235	171.4	54	圖-3 fig.3
T015A ₂ 8	A ₂ 8	300	171.4	235	33	圖-2 fig.2
T018A ₂ 8	A ₂ 8	300	171.4	235	33	圖-2 fig.2
T021A ₂ 8	A ₂ 8	380	171.4	330.2	41	圖-2 fig.2
T021A ₂ 11	A ₂ 11	380	235	330.2	41	圖-2 fig.2
T024A ₂ 11	A ₂ 11	520	235	463.6	42	圖-2 fig.2
T024A ₂ 15	A ₂ 15	520	330.2	463.6	42	圖-2 fig.2
T032A ₂ 11	A ₂ 11	380	235	330.2	41	圖-2 fig.2
T040A ₂ 11	A ₂ 11	380	235	330.2	41	圖-2 fig.2

SC 3-JAW SCROLL CHUCKS

普通型三爪夾頭

尺寸圖 » Dimensions



規格表 » Specifications

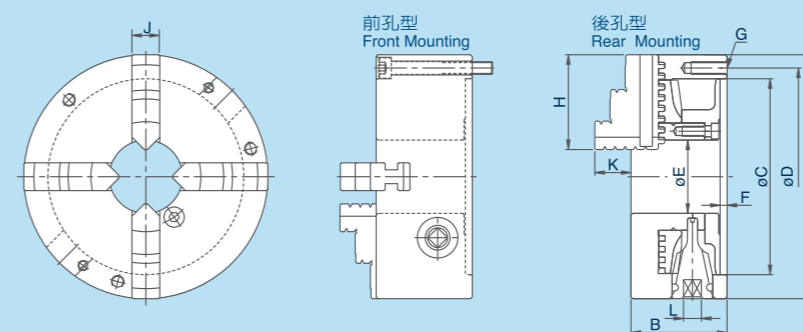
單位/UNIT:mm

型式/規格 MODEL /SPEC.	A	B	C	D	E	F	G	H	J	K	L	最高迴轉速 Max.Speed r.p.m.(min ⁻¹)	把握範圍 外徑把握 O.D.Clamping	Max. Gripping Diameter 內徑把握 I.D.Clamping	淨重 Weight (kg)
SC-03	85	45	60	73	16	3.5	3-M6x1P	35	11	15	7	2500	ø2-ø70	ø24-ø64	1.5
SC-04	112	58	80	95	24	4.5	3-M8x1.25P	42	14	17	8	2500	ø3-ø90	ø32-ø84	3.3
SC-05	132	60	100	115	32	4.5	3-M8x1.25P	50	16	20	8	2500	ø3-ø110	ø35-ø100	4.6
SC-06	167	66	130	147	45	5	3-M10x1.5P	65	19	23	10	2000	ø4-ø160	ø48-ø150	7.9
SC-07	193	76	155	172	58	5	3-M10x1.5P	75	22	28	11	2000	ø4-ø180	ø56-ø170	12.0
SC-08	203	76	160	176	58	5	3-M10x1.5P	75	22	28	11	2000	ø4-ø180	ø56-ø170	13.3
SC-09	233	84	190	210	70	5.5	3-M12x1.75P	85	24	34.5	12	2000	ø5-ø220	ø62-ø210	19.3
SC-10	273	86	230	250	89	5.5	3-M12x1.75P	98	28	39	12	1800	ø6-ø260	ø70-ø250	26.2
SC-12	310	96	260	285	105	7	3-M12x1.75P	110	30	45	14	1800	ø10-ø300	ø86-ø290	37.6
SC-14	355	112	300	328	127	7	6-M12x1.75P	132	35	50	15	1500	ø12-ø350	ø96-ø320	57.2
SC-16	405	122	345	375	160	8	6-M14x2P	146	40	56	15	1500	ø14-ø400	ø100-ø380	80.7

PS 4-JAW SCROLL CHUCKS

連動型四爪夾頭

尺寸圖 » Dimensions



規格表 » Specifications

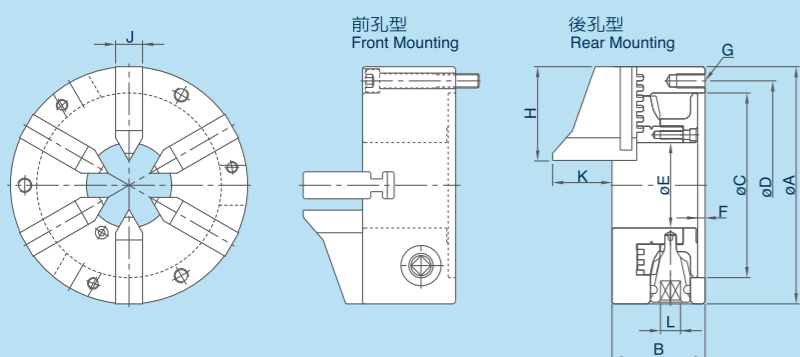
單位/UNIT:mm

型式/規格 MODEL /SPEC.	A	B	C	D	E	F	G	H	J	K	L	最高迴轉速 Max.Speed r.p.m.(min ⁻¹)	把握範圍 外徑把握 O.D.Clamping	Max. Gripping Diameter 內徑把握 I.D.Clamping	淨重 Weight (kg)
PS-07	193	76	155	172	58	5	3-M10x1.5P	75	22	28	11	2000	ø4-ø180	ø56-ø170	12.1
PS-09	233	84	190	210	70	5.5	3-M12x1.75P	85	24	34.5	12	2000	ø5-ø220	ø62-ø210	19.4
PS-12	310	96	260	285	105	7	3-M12x1.75P	110	30	45	14	1800	ø10-ø300	ø86-ø290	38.1
PS-16	405	122	345	375	160	8	6-M14x2P	146	40	56	15	1500	ø14-ø400	ø100-ø380	82.4

AS 6-JAW AWL TYPE CHUCKS

錐型六爪夾頭

尺寸圖 » Dimensions



規格表 » Specifications

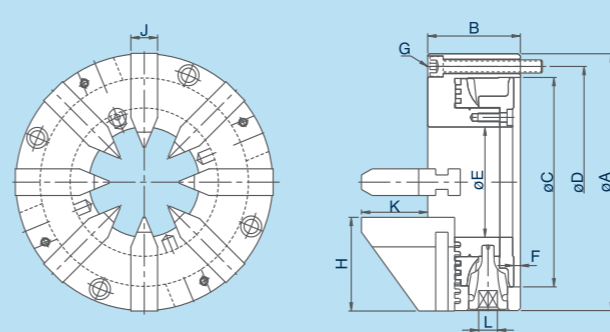
單位/UNIT:mm

型式/規格 MODEL /SPEC.	A	B	C	D	E	F	G	H	J	K	L	最高迴轉速 Max.Speed r.p.m.(min ⁻¹)	把握範圍 外徑把握 O.D.Clamping	Max. Gripping Diameter 內徑把握 I.D.Clamping	淨重 Weight (kg)
AS-04	112	58	80	95	32	4.5	3-M8x1.25P	45	14	46	8	1200	ø2-ø32		3.8
AS-06	167	65	130	147	60	5.0	3-M10x1.5P	66	19	43	10	1200	ø3-ø60		8.2

AE 8-JAW AWL TYPE CHUCKS

錐型八爪夾頭

尺寸圖 » Dimensions



規格表 » Specifications

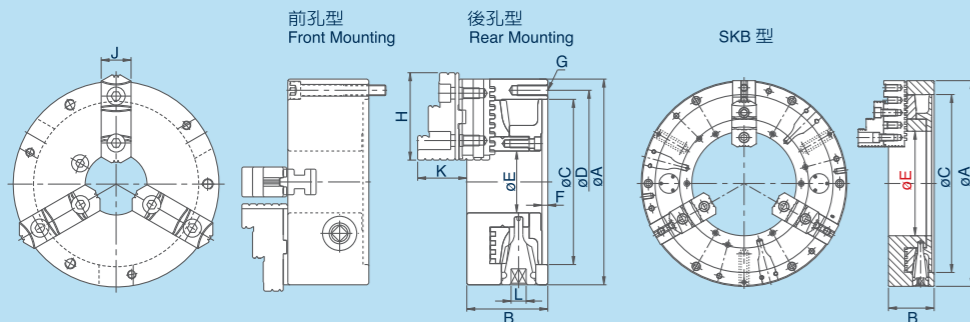
單位/UNIT:mm

型式/規格 MODEL /SPEC.	A	B	C	D	E	F	G	H	J	K	L	最高迴轉速 Max.Speed r.p.m.(min ⁻¹)	把握範圍 外徑把握 O.D.Clamping	Max. Gripping Diameter 內徑把握 I.D.Clamping	淨重 Weight (kg)
AE-09	233	84	190	210	100	5.5	4-M12x1.75P	85	24	60	12	1000	ø7-ø100		21

SK 3-JAW POWERFUL TYPE SCROLL CHUCKS

強力型三爪夾頭 SKB:大孔徑 Larger Through Hole

尺寸圖 > Dimensions



規格表 > Specifications

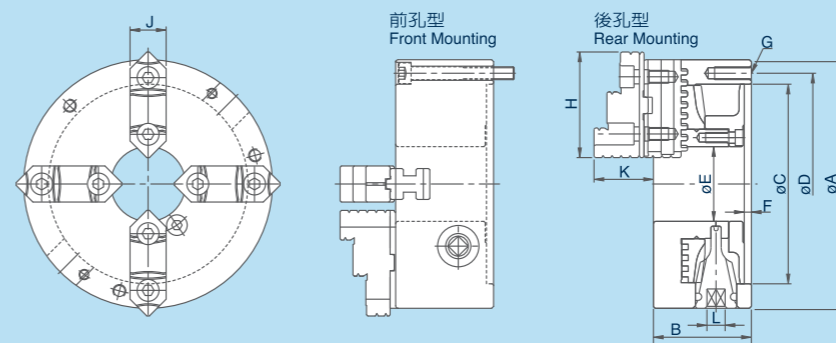
單位/UNIT:mm

型式/規格 MODEL / SPEC.	A	B	C	D	E	F	G	H	J	K	L	最高迴轉速 Max.Speed r.p.m.(min ⁻¹)	把握範圍 Max. Gripping Diameter 外徑把握 O.D.Clamping	內徑把握 I.D.Clamping	淨重 Weight (kg)
SK-04	112	58	80	95	24	4.5	3-M8x1.25P	47	19	31.5	8	2500	ø3-ø100	ø35-ø93	3.45
SK-05	132	60	100	115	32	4.5	3-M8x1.25P	57	24	36	8	2500	ø3-ø123	ø43-ø122	5.0
SK-06	167	66	130	147	45	5	3-M10x1.5P	68	26	39	10	2000	ø8-ø160	ø55-ø150	8.6
SK-07	193	76	155	172	58	5	3-M10x1.5P	82	28	43	11	2000	ø8-ø180	ø62-ø170	12.8
SK-08	203	76	160	176	58	5	3-M10x1.5P	82	28	43	11	2000	ø8-ø180	ø62-ø170	14.1
SK-09	233	84	190	210	70	5.5	3-M12x1.75P	93	32	50	12	2000	ø11-ø220	ø70-ø210	20.4
SK-10	273	86	230	250	89	5.5	3-M12x1.75P	102	35	54.5	12	1800	ø12-ø260	ø80-ø250	26.7
SK-12	310	96	260	285	105	7	3-M12x1.75P	118	40	56	14	1800	ø15-ø300	ø90-ø290	39.3
SK-14	355	112	300	328	127	7	6-M12x1.75P	139	45	70.5	15	1500	ø25-ø350	ø110-ø320	60.7
SK-16	405	122	345	375	160	8	6-M14x2P	150	50	75	15	1500	ø30-ø400	ø110-ø380	82.3
SK-20	500	140	420	458	205	5.5	6-M16x2P	140	55	84	19	1000	ø25-ø480	ø125-ø460	145.5
SK-25	630	140	545	586	275	6.5	6-M16x2P	140	70	92	19	850	ø80-ø630	ø198-ø601	221.3
SKB-25	630	140	545	586	320	6.5	6-M16x2P	140	70	92	19	850	ø160-ø630	ø274-ø646	208.5

PSK 4-JAW POWERFUL TYPE SCROLL CHUCKS

強力連動型四爪夾頭 PSKB:大孔徑 Larger Through Hole

尺寸圖 > Dimensions



規格表 > Specifications

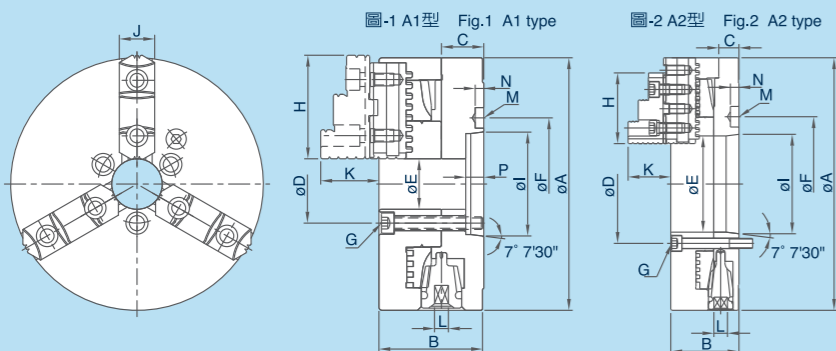
單位/UNIT:mm

型式/規格 MODEL / SPEC.	A	B	C	D	E	F	G	H	J	K	L	最高迴轉速 Max.Speed r.p.m.(min ⁻¹)	把握範圍 Max. Gripping Diameter 外徑把握 O.D.Clamping	內徑把握 I.D.Clamping	淨重 Weight (kg)
PSK-07	193	76	155	172	58	5	3-M10x1.5P	82	28	43	11	2000	ø8-ø180	ø62-ø170	12.7
PSK-09	233	84	190	210	70	5.5	3-M12x1.75P	93	32	50	12	2000	ø11-ø220	ø70-ø210	20.8
PSK-12	310	96	260	285	105	7	3-M12x1.75P	118	40	56	14	1800	ø15-ø300	ø90-ø290	43
PSK-16	405	122	345	375	160	8	6-M14x2P	150	50	75	15	1500	ø30-ø400	ø110-ø380	86.7
PSK-20	500	140	420	458	205	5.5	6-M16x2P	140	55	84	19	1000	ø25-ø480	ø125-ø460	149
PSKB-25	630	140	545	586	320	6.5	6-M16x2P	140	70	92	19	850	ø160-ø630	ø274-ø646	215

A1(A2) 3-JAW A1(A2) TYPE CHUCKS

直裝型三爪夾頭

尺寸圖 > Dimensions



規格表 > Specifications

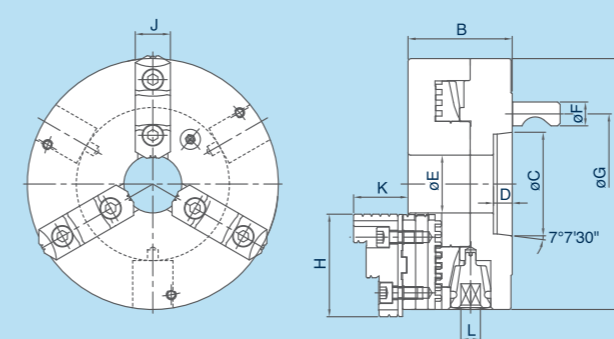
單位/UNIT:mm

型式/規格 MODEL / SPEC.	A	B	C	D	E	F	G	H	I	J	K	L	P	M	N	參考圖 Reference Drawing	最高迴轉速 Max.Speed r.p.m.(min ⁻¹)	把握範圍 Max. Gripping Diameter 外徑把握 O.D.Clamping	內徑把握 I.D.Clamping	淨重 Weight (kg)
A15-08"	200	83	33.5	61.9	40	ø104.8	3-M10x1.5P	82	82.563	28	43	11	14.29	ø16.3	6.8	圖-1 fig.1	2000	ø8-ø180	ø62-ø170	17.4
A16-08"	200	83	33.5	82.6	56	ø133.4	3-M12x1.75P	82	106.375	28	43	11	15.88	ø19.3	6.8	圖-1 fig.1	2000	ø8-ø180	ø62-ø170	18
A16-10"	255	91.5	36.5	82.6	56	ø133.4	3-M12x1.75P	93	106.375	32	50	12	15.88	ø19.3	6.8	圖-1 fig.1	1800	ø11-ø240	ø70-ø230	30.6
A211-20"	500	135	40	235	190.5	ø235	6-M20x2.5P	140	196.869	55	84	19	--	ø29.4	10.7	圖-2 fig.2	1000	ø25-ø480	ø125-ø460	161.5

D1 3-JAW D1 TYPE CHUCKS

直裝型三爪夾頭

尺寸圖 > Dimensions



規格表 > Specifications

單位/UNIT:mm

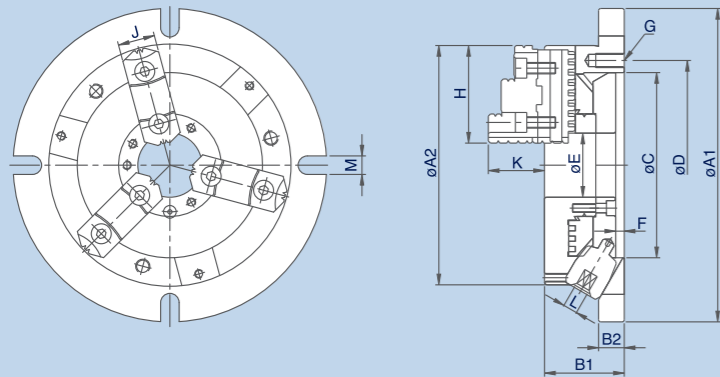
型式/規格 MODEL / SPEC.	A	B	C	D	E	F	G	H	J	K	L	最高迴轉速 Max.Speed r.p.m.(min ⁻¹)	把握範圍 Max. Gripping Diameter 外徑把握 O.D.Clamping	內徑把握 I.D.Clamping	淨重 Weight (kg)
D15-08"	200	83	82.563	15	46	19	104.8	82	28	43	11	2000	ø8-ø180	ø62-ø170	17.8
D16-08"	200	83	106.375	16	58	22.2	133.4	82	28	43	11	2000	ø8-ø180	ø62-ø170	17.3
D16-10"	255	94	106.375	16	76	22.2	133.4	93	32	50	12	1800	ø11-ø240	ø70-ø230	31.3
D18-10"	255	94	139.719	18	76	25.4	171.4	93	32	50	12	1800	ø11-ø240	ø70-ø230	30.9
D18-12"	310	105	139.719	18	103	25.4	171.4	118	40	56	14	1800	ø15-ø300	ø90-ø290	51.1
D111-20"	500	135	196.869	--	190.5	30.2	235	140	55	84	19	1000	ø25-ø480	ø125-ø460	165.5

強力超薄型夾盤

- 1.把手和盤面成30°角，旋轉操作更便利。
- 2.薄型設計，可增加機械加工之容許長度。
- 3.外徑成凸緣設計，裝卸容易。
- 4.強力型設計可共用生爪。



尺寸圖 » Dimensions



- 1.The handle with an angle of 30 degrees is much convenient for operations.
- 2.The "super thin thickness" design of chucks increase the "allowable distance" of machining operations.
- 3.Chuck flange makes loading and unloading operations simpler and more convenient.
- 4.Hard jaws and Soft jaws can be used alternatively.

規格表 » Specifications

單位/UNIT:mm

型式/規格 MODEL /SPEC.	A1	A2	B1	B2	C	D
NBK-06	220	170	58	18	130	147
NBK-08	270	210	65	20	155	172
NBK-10	315	255	73	20	190	210
NBK-12	370	305	80	22	250	285
NBK-16	470	405	105	24	345	375
NBK-20	570	500	121	29	420	458

型式/規格 MODEL /SPEC.	E	F	G	H	J	K
NBK-06	45	6	3-M10x1.5P	68	26	40
NBK-08	60	6	3-M10x1.5P	82	28	43
NBK-10	80	6	3-M12x1.75P	93	32	52
NBK-12	105	5	3-M12x1.75P	118	40	59
NBK-16	160	7	6-M14x2P	150	50	75
NBK-20	220	7	6-M16x2P	140	55	84

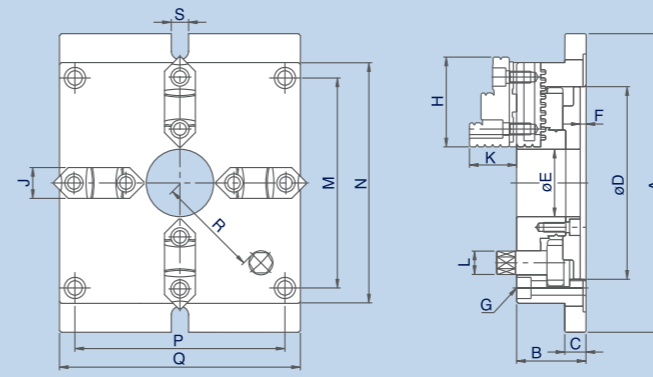
型式/規格 MODEL /SPEC.	L	M	把握範圍 Max.Gripping Diameter		淨重 Weight (kg)
			外徑把握 O.D.Clamping (mm)	內徑把握 I.D.Clamping (mm)	
NBK-06	10	13	ø8~ø160	ø48~ø150	10.6
NBK-08	11	13	ø11~ø200	ø62~ø190	18.1
NBK-10	12	16	ø12~ø250	ø72~ø240	27.9
NBK-12	14	18	ø15~ø300	ø86~ø290	42.9
NBK-16	15	18	ø60~ø410	ø145~ø388	--
NBK-20	19	18	ø86~ø500	ø245~ø488	150

方型超薄夾盤

- 1.MC 均為定寸研磨方式；任何相同規格之方型夾盤 W,X,Y,Z 各點之高度公差為0.05mm以內。
- 2.MC規格均可替換生爪，作不規則形狀之加工，以替代中心機大量治具，更經濟、方便。
- 3.硬爪重複夾持之精度公差為0.02mm 以內。
- 4.側邊平行校正後，硬爪夾持之平行公差為0.05mm以內。



尺寸圖 » Dimensions



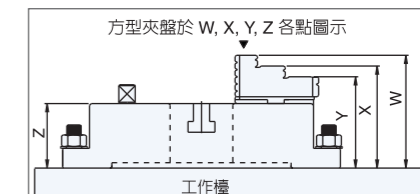
- 1.MC chucks are precisely ground, the tolerances of W,X,Y,Z among chucks are within 0.05mm.
- 2.Soft jaws can be used alternatively for machining special shaped work pieces, to substitute for designing and making a lot of jigs for this purpose.
- 3.The repetitive gripping accuracy with the hard jaws are within 0.02mm.
- 4.Parallel gripping accuracy with hard jaws can be controlled within 0.05mm after aligning sides of chucks.

規格表 » Specifications

規格表 » Specifications

型式/規格 MODEL /SPEC.	A	B	C	D	E	F	G	H	J	K	L	M
MC-06	215	57	18	130	40	5.5	4-M10x1.5P	68	26	39	14	144
MC-08	250	65	20	160	55	6	4-M12x1.75P	82	28	43	17	174
MC-10	310	72	22	200	70	6	4-M14x2P	93	32	50	21	218
MC-12	380	85	25	260	100	7	4-M16x2P	118	40	56	23	274

型式/規格 MODEL /SPEC.	N	P	Q	R	S	把握範圍 Max.Gripping Diameter		淨重 Weight (kg)
						外徑把握 O.D.Clamping (mm)	內徑把握 I.D.Clamping (mm)	
MC-06	165	144	165	66	18	ø4-ø128	ø55-ø128	11.4
MC-08	200	174	200	83	18	ø5-ø162	ø62-ø162	18.6
MC-10	250	218	250	104	18	ø6-ø200	ø72-ø200	31.6
MC-12	310	274	310	135	22	ø10-ø265	ø90-ø265	56.6

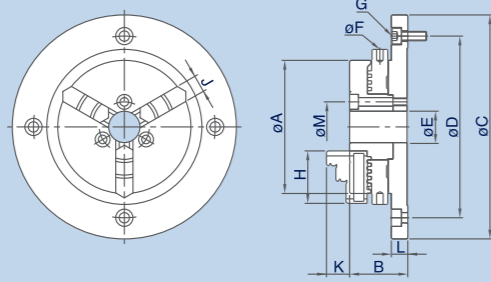


單位/UNIT:mm

超薄型夾盤

- 1.輕、薄、短小的設計，適用於工件量測夾持。
- 2.直接轉動旋盤，免於使用扳手旋轉干涉。
- 3.鋼製本體，耐用性甚佳。
- 4.夾爪正反夾持兩用設計，操作方便。
- 5.2"最小工件夾持0.8mm。

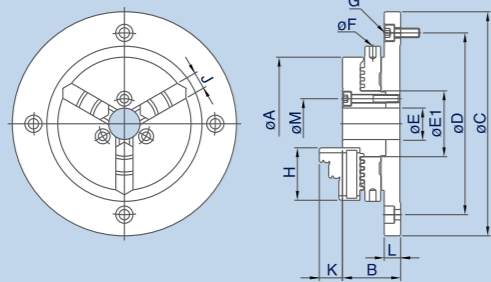
尺寸圖 » Dimensions



SE-ST STAINLESS STEEL SUPER THIN CHUCKS

不鏽鋼超薄型夾盤

尺寸圖 » Dimensions



1. By the compactness comes from " Light, Thin, Short, Small " designing concept; the chucks are most fitting to hold work pieces for measuring.
2. Just rotate the chuck knob directly for gripping and loosening, A handle is not necessary to be used.
3. Chuck body is made of very durable steel.
4. Jaws can be reversibly used; gripping of various sizes becomes much convenient.
5. 2" chucks can even grip up to the smallest size of 0.8mm.

規格表 » Specifications

單位/UNIT:mm

型式/規格 MODEL / SPEC.	A	B	C	D	E	F	G	H
SE-02	63	28	118	100	16	4	4-M5x0.8P	27
SE-03	85	37	143	116	20	4	4-M6x1P	35
SE-04	110	39	168	140	26	5	4-M6x1P	42
SE-05	130	45	202	168	32	6	4-M8x1.25P	50
SE-06	160	52	248	208	50	8	4-M10x1.5P	65

型式/規格 MODEL / SPEC.	J	K	L	M	把握範圍 Max.Gripping Diameter		淨重 Weight (kg)
					外徑把握 O.D.Clamping (mm)	內徑把握 I.D.Clamping (mm)	
SE-02	8	13	8	26	ø0.8~ø63	ø23~ø58	1.2
SE-03	11	15	10.5	32	ø1~ø81	ø31~ø70	2.9
SE-04	14	19	10	40	ø1~ø100	ø36~ø90	4.3
SE-05	16	21	11.5	49	ø1.5~ø116	ø43~ø106	6.2
SE-06	19	26	15	70	ø1.5~ø160	ø52~ø148	11.1

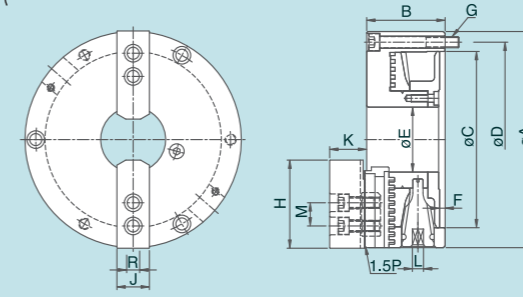
規格表 » Specifications

型式/規格 MODEL / SPEC.	A	B	C	D	E	E1	F	G	H	J	K	L	M	把握範圍 Max.Gripping Diameter		淨重 Weight (kg)
														外徑把握 O.D.Clamping (mm)	內徑把握 I.D.Clamping (mm)	
SE-04ST	110	39	168	140	26	51	5	4-M6x1P	42	14	19	10	40	ø1~ø100	ø36~ø90	4.3

齒式二爪鋼殼夾頭

- 1.可替代修整油壓生爪成型盤。
- 2.爪仔可前後任意調整，加大夾持工件範圍。
- 3.生爪及硬爪與CNC車床油壓爪共用。
- 4.鋼殼結構於高速迴轉時安全性高，耐磨性強，使用壽命長。
- 5.轉動板手扭力較小操作順暢。
- 6.兩爪夾頭僅提供強力生爪。

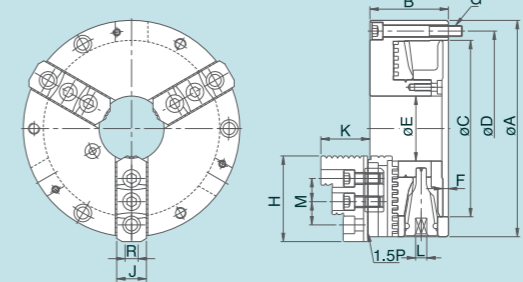
尺寸圖 » Dimensions



NT 3-JAW STEEL BODY CHUCKS

齒式三爪鋼殼夾頭

尺寸圖 » Dimensions



1. Can be used as a "Forming plate" for machining soft jaws.
2. Hard jaws and soft jaws can be adjusted just like on a power Chuck to increase the gripping range.
3. Hard jaws as well as Soft jaws are interchangeable with those of power chucks.
4. Chuck Body is made of steel to enhance safety operations for high speed machining.
5. The Chuck Handle can be operated easily and smoothly.
6. 2-jaw Steel Body only provide the powerful type soft jaws.

特點配合圖示說明 » Illustrate



The chuck can be used as a "Forming plate" for machining soft jaws.



Top jaws can be adjusted back and forth easily, thus increasing gripping range.



Hard jaws are interchangeable with those of power chucks.



Soft jaws are interchangeable with those of power chucks.



Optional accessory: Mounting plate.

規格表 » Specifications

單位/UNIT:mm

型式/規格 MODEL / SPEC.	A	B	C	D	E	F	G	H	J	K	L	M	R	最高轉速 Max. Speed r.p.m.(min ⁻¹)	把握範圍 Max.Gripping Diameter		淨重 Weight (kg)
															外徑把握 O.D.Clamping (mm)	內徑把握 I.D.Clamping (mm)	
TNT-07	193	78	155	172	58	5	3-M10x1.5P	73	31	38	11	20	12	3200	ø8~ø235	ø66~ø235	14.4
TNT-09	233	85	190	210	70	5.5	3-M12x1.75P	95	35	40	12	25	14	2800	ø11~ø280	ø85~ø280	22.3

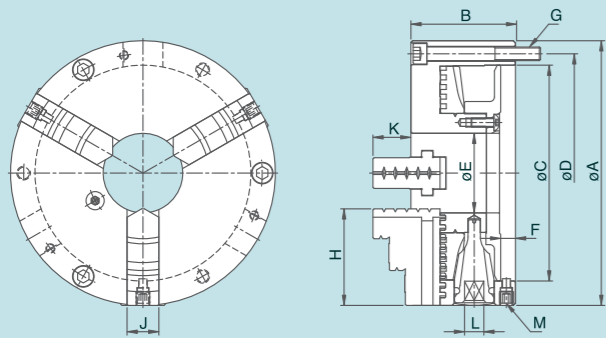
規格表 » Specifications

型式/規格 MODEL / SPEC.	A	B	C	D	E	F	G	H	J	K	L	M	R	最高轉速 Max. Speed r.p.m.(min ⁻¹)	把握範圍 Max.Gripping Diameter		淨重 Weight (kg)
															外徑把握 O.D.Clamping (mm)	內徑把握 I.D.Clamping (mm)	
NT-07	193	78	155	172	58	5	3-M10x1.5P	78	28	46	11	20	12	3200	ø8~ø235	ø66~ø235	13.1
NT-09	233	85	190	210	70	5.5	3-M12x1.75P	92	32	52	12	25	14	2800	ø11~ø280	ø85~ø280	21.2
NT-10	275	91	230	250	89	5.5	3-M12x1.75P	101.5	37	56	12	30	16	2400	ø12~ø330	ø92~ø330	30.5
NT-12	310	104	260	285	105	7	3-M12x1.75P	116	47	67	14	30	21	2100	ø15~ø370	ø104~ø370	46.1

CT 3-JAW ADJUSTMENT STEEL BODY SCROLL CHUCKS

可調式普通型三爪鋼殼夾頭

尺寸圖 » Dimensions



規格表 » Specifications

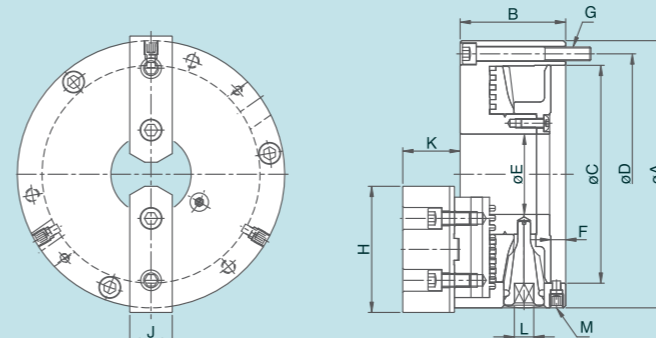
單位/UNIT:mm

型式/規格 MODEL /SPEC.	A	B	C	D	E	F	G	H	J	K	L	M	最高迴轉速 Max.Speed r.p.m.(min ⁻¹)	把握範圍 外徑把握 O.D.Clamping	Max. Gripping Diameter 內徑把握 I.D.Clamping	淨重 Weight (kg)
CT-06	167	75.5	130	147	45	12	3-M10x1.5P	65	22	28	10	3-M12x1.75P	4000	ø4~ø160	ø48~ø150	10.4
CT-07	193	85	155	172	58	12	3-M10x1.5P	75	24	28.5	11	3-M12x1.75P	3500	ø4~ø180	ø56~ø170	12.9
CT-09	233	92	190	210	70	12.5	3-M12x1.75P	85	28	33	12	3-M12x1.75P	2900	ø5~ø220	ø62~ø210	20.4
CT-10	275	98	230	250	89	12.5	3-M12x1.75P	98	30	38	12	3-M12x1.75P	2500	ø6~ø260	ø70~ø250	29.3
CT-12	310	111	260	285	105	14	3-M12x1.75P	110	32	45	14	3-M12x1.75P	2200	ø10~ø300	ø86~ø290	43.7

TKT 2-JAW POWERFUL TYPE ADJUSTMENT STEEL BODY CHUCKS

可調式強力型二爪鋼殼夾頭

尺寸圖 » Dimensions



兩爪夾頭僅提供強力生爪。
2-jaw Steel Body only provide the powerful type soft jaws.

規格表 » Specifications

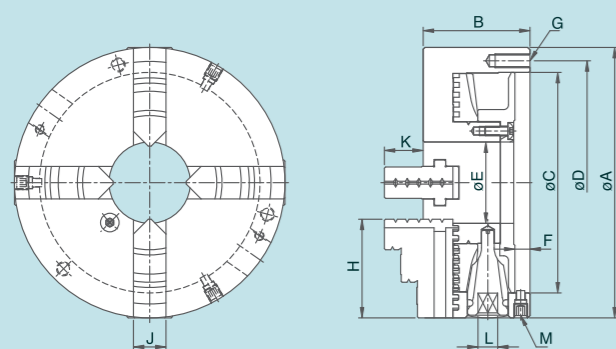
單位/UNIT:mm

型式/規格 MODEL /SPEC.	A	B	C	D	E	F	G	H	J	K	L	M	最高迴轉速 Max.Speed r.p.m.(min ⁻¹)	把握範圍 外徑把握 O.D.Clamping	Max. Gripping Diameter 內徑把握 I.D.Clamping	淨重 Weight (kg)
TKT-07	193	85	155	172	58	12	3-M10x1.5P	95	31	49.5	11	3-M12x1.75P	3500	ø10~ø180	ø70~ø170	14.6
TKT-09	233	92	190	210	70	12.5	3-M12x1.75P	110	37	50	12	3-M12x1.75P	2900	ø12~ø220	ø80~ø210	22.4

FCT 4-JAW ADJUSTMENT STEEL BODY SCROLL CHUCKS

可調式普通型四爪鋼殼夾頭

尺寸圖 » Dimensions



規格表 » Specifications

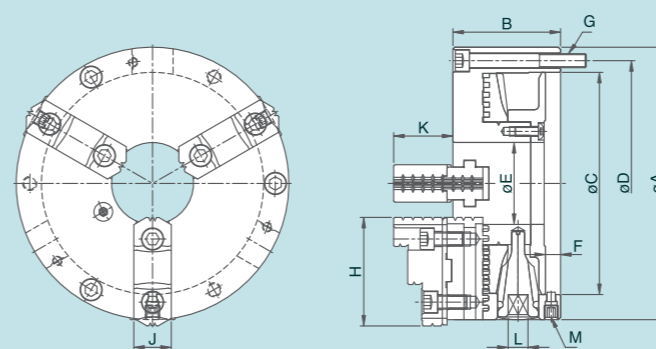
單位/UNIT:mm

型式/規格 MODEL /SPEC.	A	B	C	D	E	F	G	H	J	K	L	M	最高迴轉速 Max.Speed r.p.m.(min ⁻¹)	把握範圍 外徑把握 O.D.Clamping	Max. Gripping Diameter 內徑把握 I.D.Clamping	淨重 Weight (kg)
FCT-07	193	85	155	172	58	12	3-M10x1.5P	75	24	28.5	11	3-M12x1.75P	3500	ø4~ø180	ø56~ø170	13.2
FCT-09	233	92	190	210	70	12.5	3-M12x1.75P	85	28	33	12	3-M12x1.75P	2900	ø5~ø220	ø62~ø210	20.7
FCT-10	275	98	230	250	89	12.5	3-M12x1.75P	98	30	38	12	3-M12x1.75P	2500	ø6~ø260	ø70~ø250	29.8
FCT-12	310	111	260	285	105	14	3-M12x1.75P	110	32	45	14	3-M12x1.75P	2200	ø10~ø300	ø86~ø290	44.4

KT 3-JAW POWERFUL TYPE ADJUSTMENT STEEL BODY CHUCKS

可調式強力型三爪鋼殼夾頭

尺寸圖 » Dimensions



規格表 » Specifications

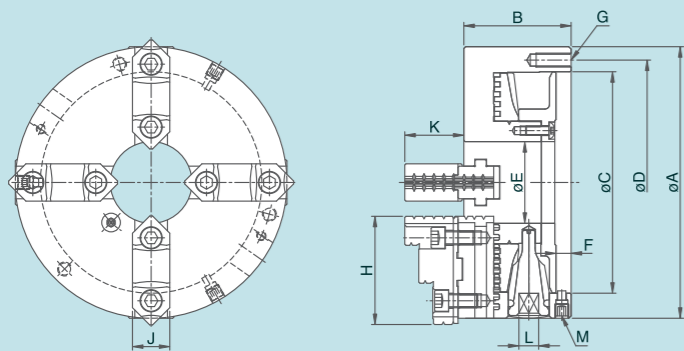
單位/UNIT:mm

型式/規格 MODEL /SPEC.	A	B	C	D	E	F	G	H	J	K	L	M	最高迴轉速 Max.Speed r.p.m.(min ⁻¹)	把握範圍 外徑把握 O.D.Clamping	Max. Gripping Diameter 內徑把握 I.D.Clamping	淨重 Weight (kg)
KT-06	167	75.5	130	147	45	12	3-M10x1.5P	68	26	39	10	3-M12x1.75P	4000	ø8~ø160	ø55~ø150	9.7
KT-07	193	85	155	172	58	12	3-M10x1.5P	82	28	43	11	3-M12x1.75P	3500	ø8~ø180	ø62~ø170	13.6
KT-09	233	92	190	210	70	12.5	3-M12x1.75P	93	32	51	12	3-M12x1.75P	2900	ø11~ø220	ø70~ø210	21.5
KT-10	275	98	230	250	89	12.5	3-M12x1.75P	102	35	54	12	3-M12x1.75P	2500	ø12~ø260	ø80~ø250	30.4
KT-12	310	111	260	285	105	14	3-M12x1.75P	118	40	58	14	3-M12x1.75P	2200	ø15~ø300	ø90~ø290	45.4

FKT 4-JAW POWERFUL TYPE ADJUSTMENT STEEL BODY CHUCKS

可調式強力型四爪鋼殼夾頭

尺寸圖 > Dimensions



規格表 > Specifications

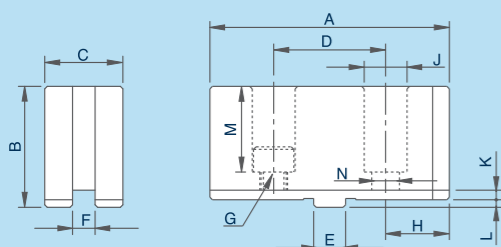
單位/UNIT:mm

型式/規格 MODEL /SPEC.	A	B	C	D	E	F	G	H	J	K	L	M	最高迴轉速 Max.Speed r.p.m.(min ⁻¹)	把握範圍 外徑把握 O.D.Clamping	Max. Gripping Diameter 內徑把握 I.D.Clamping	淨重 Weight (kg)
FKT-07	193	85	155	172	58	12	3-M10x1.5P	82	28	43	11	3-M12x1.75P	3500	ø8~ø180	ø62~ø170	14.1
FKT-09	233	92	190	210	70	12.5	3-M12x1.75P	93	32	51	12	3-M12x1.75P	2900	ø11~ø220	ø70~ø210	22
FKT-10	275	98	230	250	89	12.5	3-M12x1.75P	102	35	54	12	3-M12x1.75P	2500	ø12~ø260	ø80~ø250	33.5
FKT-12	310	111	260	285	105	14	3-M12x1.75P	118	40	58	14	3-M12x1.75P	2200	ø15~ø300	ø90~ø290	46.1

SO POWER SOFT JAWS

強力生爪

尺寸圖 > Dimensions



規格表 > Specifications

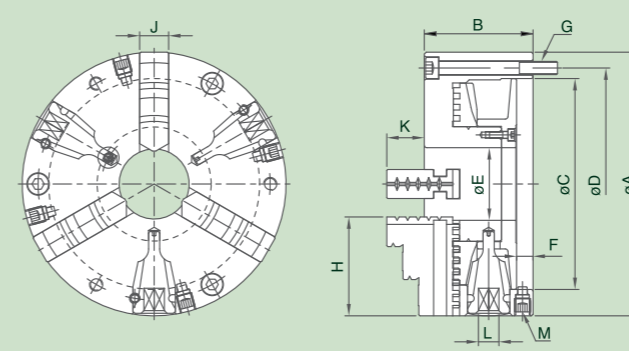
單位/UNIT:mm

型式/規格 MODEL /SPEC.	A	B	C	D	E	F	G	H	J	K	L	M	N	淨重 Weight (kg)
SO04Jaw	52	30	19	24	9.53	7.94	M6x1P	14	11	3	2.5	21	7	0.45
SO05Jaw	62	35	24	32	12.68	7.94	M8x1.25P	15	14	3.5	3	24	9	0.9
SO06Jaw	73	37	26	38.1	12.68	7.94	M8x1.25P	17.45	14	3.5	3	25	9	1.3
SO07Jaw	95	48	31	44.4	12.68	7.94	M10x1.5P	25.3	17	3.8	3	34	11	2.6
SO09Jaw	110	48	37	54	19.03	12.7	M12x1.75P	28	19	4.2	3	34	13	3.6
SO12Jaw	125	54	42	63.5	19.03	12.7	M12x1.75P	30.75	19	4.2	3	38	13	5.5
SO16Jaw	160	70	50	76.2	19.03	12.7	M16x2P	41.9	25	5.5	6	48	17	10.4
SO20Jaw	160	80	55	76.2	19.03	12.7	M20x2.5P	41.9	32	5.5	6	58	21	--
SO25Jaw	160	80	75	76.2	19.03	12.7	M20x2.5P	41.9	32	5.5	6	58	21	--

歐規 DIN6350 3DACT 3-JAW ADJUSTMENT STEEL BODY SCROLL CHUCKS

可調式普通型三爪鋼殼夾頭

尺寸圖 > Dimensions



規格表 > Specifications

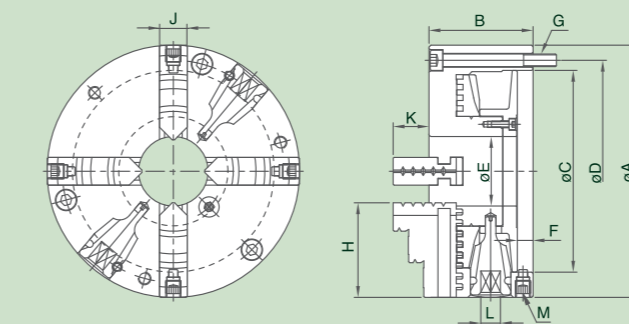
單位/UNIT:mm

型式/規格 MODEL /SPEC.	A	B	C	D	E	F	G	H	J	K	M	L	最高迴轉速 Max.Speed r.p.m.(min ⁻¹)	把握範圍 外徑把握 O.D.Clamping	Max. Gripping Diameter 內徑把握 I.D.Clamping
3DACT-04	100	60	70	83	20	10	3-M8x1.25P	42	14	17	4-M8x1.25P	8	5200	ø3-ø95	ø30-ø83
3DACT-05	125	65	95	108	32	10.5	3-M8x1.25P	50	16	20	4-M10x1.5P	8	4800	ø3-ø122	ø35-ø111
3DACT-06	160	72.5	125	140	42	12	3-M10x1.5P	65	19	23	4-M12x1.75P	10	4200	ø4-ø160	ø46-ø155
3DACT-08	200	82.5	160	176	55	12	3-M10x1.5P	75	22	28	4-M12x1.75P	11	3500	ø4-ø197	ø51-ø184
3DACT-10	250	91	200	224	76	13	3-M12x1.75P	98	28	38.5	4-M12x1.75P	12	2600	ø6-ø267	ø70-ø252
3DACT-12	315	103	260	286	103	14	3-M16x2P	110	30	44.5	4-M12x1.75P	14	2200	ø10-ø325	ø81-ø308
3DACT-15	400	122	330	362	136	15	3-M16x2P	146	40	56	4-M12x1.75P	17	1600	ø14-ø428	ø106-ø410

歐規 DIN6350 4DACT 4-JAW ADJUSTMENT STEEL BODY SCROLL CHUCKS

可調式普通型四爪鋼殼夾頭

尺寸圖 > Dimensions



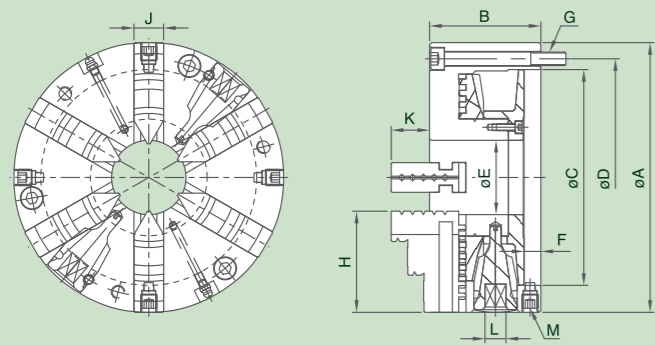
規格表 > Specifications

單位/UNIT:mm

型式/規格 MODEL /SPEC.	A	B	C	D	E	F	G	H	J	K	M	L	最高迴轉速 Max.Speed r.p.m.(min ⁻¹)	把握範圍 外徑把握 O.D.Clamping	Max. Gripping Diameter 內徑把握 I.D.Clamping
4DACT-08	200	82.5	160	176	55	12	3-M10x1.5P	75	22	28	4-M12x1.75P	11	3500	ø4-ø197	ø51-ø184
4DACT-10	250	91	200	224	76	13	3-M12x1.75P	98	28	38.5	4-M12x1.75P	12	2600	ø6-ø265	ø70-ø250
4DACT-12	315	103	260	286	103	14	3-M16x2P	110	30	44.5	4-M12x1.75P	14	2200	ø10-ø325	ø81-ø308
4DACT-15	400	122	330	362	136	15	3-M16x2P	146	40	56	4-M12x1.75P	17	1600	ø14-ø408	ø106-ø389

可調式普通型六爪鋼殼夾頭

尺寸圖 » Dimensions



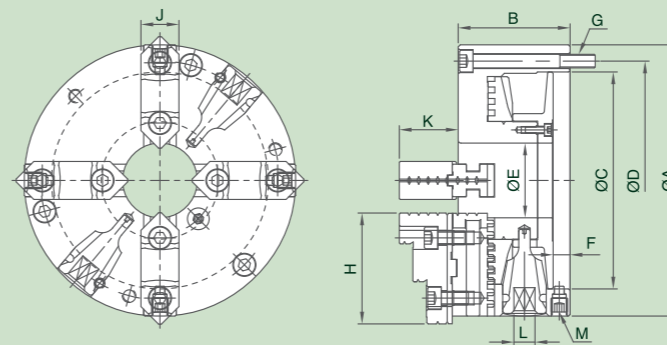
規格表 » Specifications

單位/UNIT:mm

型式/規格 MODEL / SPEC.	A	B	C	D	E	G	F	H	J	K	L	M	最高迴轉速 Max.Speed r.p.m.(min ⁻¹)	把握範圍 外徑把握 O.D.Clamping	Max. Gripping Diameter 內徑把握 I.D.Clamping
6DACT-08	200	82.5	160	176	55	3-M10×1.5P	12	75	22	28	11	4-M12×1.75P	2900	ø4-ø183	ø51-ø170
6DACT-10	250	91	200	224	76	3-M12×1.75P	13	98	28	38.5	12	4-M12×1.75P	2200	ø6-ø249	ø70-ø233
6DACT-12	315	103	260	286	103	3-M16×2P	14	110	30	44.5	14	4-M12×1.75P	1800	ø10-ø305	ø81-ø288
6DACT-15	400	122	330	362	136	3-M16×2P	15	146	40	56	17	4-M12×1.75P	1300	ø14-ø406	ø105-ø387

可調式強力型四爪鋼殼夾頭

尺寸圖 » Dimensions



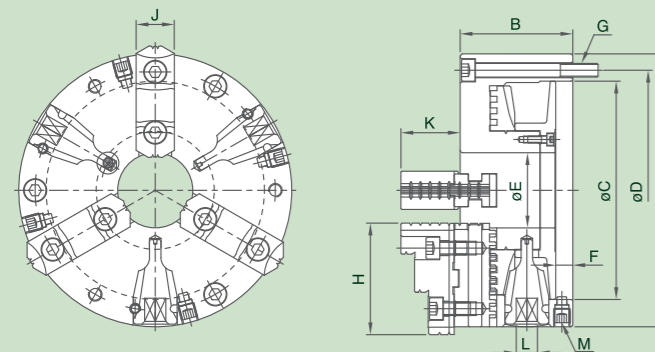
規格表 » Specifications

單位/UNIT:mm

型式/規格 MODEL / SPEC.	A	B	C	D	E	G	F	H	J	K	L	M	最高迴轉速 Max.Speed r.p.m.(min ⁻¹)	把握範圍 外徑把握 O.D.Clamping	Max. Gripping Diameter 內徑把握 I.D.Clamping
4DAKT-08	200	82.5	160	176	55	3-M10×1.5P	12	82	28	43	11	4-M12×1.75P	3500	ø8-ø205	ø59-ø190
4DAKT-10	250	91	200	224	76	3-M12×1.75P	13	102	35	54.5	12	4-M12×1.75P	2600	ø12-ø265	ø78-ø249
4DAKT-12	315	103	260	286	103	3-M16×2P	14	117.5	40	56.5	14	4-M12×1.75P	2200	ø15-ø323	ø86-ø296
4DAKT-15	400	122	330	362	136	3-M16×2P	15	150	50	74.5	17	4-M12×1.75P	1600	ø30-ø419	ø124-ø396

可調式強力型三爪鋼殼夾頭

尺寸圖 » Dimensions



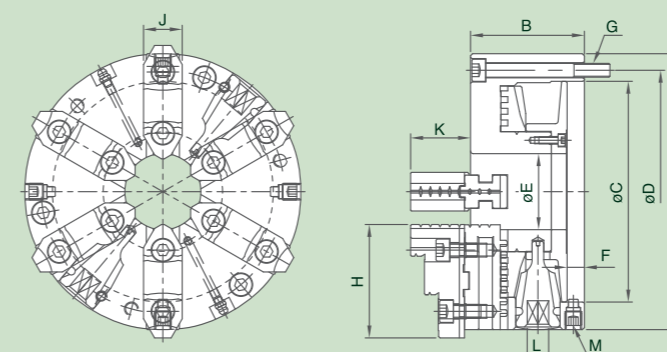
規格表 » Specifications

單位/UNIT:mm

型式/規格 MODEL / SPEC.	A	B	C	D	E	G	F	H	J	K	L	M	最高迴轉速 Max.Speed r.p.m.(min ⁻¹)	把握範圍 外徑把握 O.D.Clamping	Max. Gripping Diameter 內徑把握 I.D.Clamping
3DAKT-05	125	65	95	108	32	3-M8×1.25P	10.5	57	24	36	8	4-M10×1.5P	4800	ø3-ø121	ø44-ø120
3DAKT-06	160	72.5	125	140	42	3-M10×1.5P	12	68	26	38.5	10	4-M12×1.75P	4200	ø8-ø169	ø50-ø158
3DAKT-08	200	82.5	160	176	55	3-M10×1.5P	12	82	28	43	11	4-M12×1.75P	3500	ø8-ø206	ø58-ø191
3DAKT-10	250	91	200	224	76	3-M12×1.75P	13	102	35	54.5	12	4-M12×1.75P	2600	ø12-ø266	ø77-ø250
3DAKT-12	315	103	260	286	103	3-M16×2P	14	117.5	40	56.5	14	4-M12×1.75P	2200	ø15-ø340	ø85-ø313
3DAKT-15	400	122	330	362	136	3-M16×2P	15	150	50	74.5	17	4-M12×1.75P	1600	ø30-ø440	ø123-ø416

可調式強力型六爪鋼殼夾頭

尺寸圖 » Dimensions



規格表 » Specifications

單位/UNIT:mm

型式/規格 MODEL / SPEC.	A	B	C	D	E	G	F	H	J	K	L	M	最高迴轉速 Max.Speed r.p.m.(min ⁻¹)	把握範圍 外徑把握 O.D.Clamping	Max. Gripping Diameter 內徑把握 I.D.Clamping
6DAKT-08	200	82.5	160	176	55	3-M10×1.5P	12	82	28	43	11	4-M12×1.75P	2900	ø17-ø193	ø67-ø178
6DAKT-10	250	91	200	224	76	3-M12×1.75P	13	102	35	54.5	12	4-M12×1.75P	2200	ø19-ø248	ø84-ø232
6DAKT-12	315	103	260	286	103	3-M16×2P	14	117.5	40	56.5	14	4-M12×1.75P	1800	ø23-ø323	ø93-ø296
6DAKT-15	400	122	330	362	136	3-M16×2P	15	150	50	74.5	17	4-M12×1.75P	1300	ø30-ø419	ø124-ø396

手動夾頭精度檢查標準

THE INSTALLATION AND CLAMPING PRECISION STANDARD



尺寸 SIZE	型式 MODEL	本體偏擺 Radical & Axial Runout		板手孔位 Pinion Arrow Position	校正圓棒偏擺 Gripped Test-Bar Runout					
		a	b		l	c	d	e	f	g
3"		0.02		標準孔 Master Pinion / 任意孔 Other Than Master Pinion	38	0.03 / 0.05	0.05	0.02	0.05	0.02
4"	0.02		0.05				0.05			
5"	0.02		0.04				0.04			
6"	0.02		0.05				0.05			
7"	0.02		75		0.05	0.03	0.05	0.05		
8"	0.02						0.05	0.05		
9"	0.02						0.05	0.05		
10"	0.02		100		0.05	0.1	0.03	0.05	0.05	
12"	0.02							0.05	0.05	
14"	0.02							0.05	0.05	
16"	0.02			0.05				0.05		
20"	0.02			0.05				0.05		
25"	0.02		125	0.08	0.1	0.1	0.03			

尺寸 SIZE	型式 MODEL	校正圓棒 (mm) Dia. of Test Bar			校正圓環 Test Ring(mm)		
		內徑 Inner Dia.	外徑 Outer Dia.	厚度 Thickness			
3"		8	10	--	30	60	20
4"		10	20	--	55	90	20
5"		10	20	30	60	100	20
6"		20	30	40	75	125	30
7"		20	30	40	85	150	30
8"		20	30	40	85	150	30
9"		30	40	50	110	175	30
10"		30	40	50	135	215	30
12"		40	50	70	150	235	40
14"		40	50	70	170	270	40
16"		70	95	120	180	310	40
20"		100	140	180	275	365	40
25SK		130	190	240	380	420	40
25SKB(PSKB)		190	240	290			

